



ABACO MACHINES
INTERNATIONAL PTY LTD
MATERIAL HANDLING SOLUTIONS

CATALOG

ABACO

MACHINES

We offer high quality products at competitive prices



CONTACT US

Unit 4/34-36 Fairfield Street
Fairfield East N.S.W. 2165 Australia
Tel: +612 9632 4990

Sales@abaco.com.au
Jonathan@abaco.com.au
Kevin@abaco.com.au
Fax: +612 9632 1510



www.abaco.com.au



ABACO MACHINES
INTERNATIONAL PTY LTD
MATERIAL HANDLING SOLUTIONS

TABLE OF CONTENTS

01 Lifters & Clamps

02 Countertop Tools

03 Booms & Bars

04 Tables & Stands

05 Trolleys & Buggies

06 A-Frames & Racks

07 Specialized Machines

08 Other



ABACO MACHINES
INTERNATIONAL PTY LTD
MATERIAL HANDLING SOLUTIONS

ABOUT COMPANY

Abaco Machines International Pty Ltd

was established in 1995, with our head office and warehouse located in Sydney, Australia.

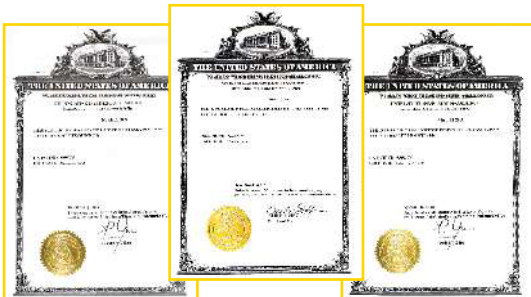
We specialize in manufacturing and supplying cutting machines, and lifting equipment for stone industry throughout the world.



We however never stop continuing to refine and to improve our products to cater our customer's needs and requirement.

Our product variations include Abaco lifter, tile saw, dehydrator, forklift jib, site saw . . .

In 1998, we introduced an Abaco Lifter, a fine, unique lifting equipment specially for handling all kinds of material in slab or sheet form. Since then Abaco Lifter became one of the popular products for marble and granite industry in the world.



US & International Patents



STONE AND GLASS

LIFTERS & CLAMPS

Page

Abaco Little Giant Lifter Automatic.....	08
Abaco Little Giant Lifter.....	09
Abaco Sky Rider Lifter Automatic.....	10
Abaco Super Multi Material Lifter Automatic.....	11
Abaco Bison Lifter.....	12
Abaco Bison Lifter Automatic.....	12
Abaco Falcon Lifter.....	13
Abaco Falcon Lifter Automatic.....	13
Abaco Stone Crab Lifter Automatic.....	14
Abaco Multi Slab Safeguard Sling.....	15
Abaco Scissor Clamp.....	16
Abaco Scissor Clamp (SC300).....	17
Abaco Barrier Heavy Lifter.....	17
Abaco Multi Material Lifter Automatic.....	18
Abaco Glass Lifter.....	19
Abaco Pro - Glass Lifter.....	19
Abaco Mylift "Portable Electric Vacuum Lifter".....	20
Abaco Dual Pump Vacuum Lifter.....	21
Abaco Qli Vacuum Lifter.....	22
Abaco Stone Vacuum Lifter 25.....	23
Abaco Stone Vacuum Lifter 50.....	24
Abaco Stone Vacuum Lifter 75.....	25
Abaco Stone Vacuum Lifter 100.....	26
Abaco Multi Stone Vacuum Lifter.....	27
Abaco Vacuum Lifter DVL400.....	28
Abaco Vacuum Lifter AVL480.....	29
Abaco Vacuum Lifter DVL480.....	30
Abaco Vacuum Lifter AVL500.....	31
Abaco Vacuum Lifter DVL500.....	32
Abaco 90° Clamp.....	33
Abaco Lamination Clamps.....	33
Abaco Single Handed Carry Clamps.....	34
Abaco Double Handed Carry Clamps.....	34
Abaco Double Handed Giant Carry Clamps.....	35
Abaco Easy Work Single Carry Clamp.....	35
Abaco Sink Lock.....	36



COUNTERTOP TOOLS

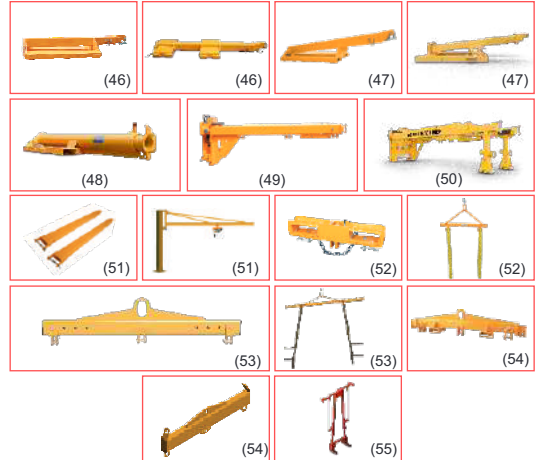
Page

Abaco Ratchet Seam Setter M2.....	37
Abaco Qli Seam Setter With 2x8 Suction Cups.....	38
Abaco Qli Seam Setter With 4x5 Suction Cups.....	38
Abaco Ez-pro Battery Seam Setter.....	39
Abaco Ez-pro Level Extender.....	40
Abaco Double/triple Suction Lifter.....	41
Abaco Hand Held Suction.....	41
Abaco Guide Rail 200.....	42
Abaco Countertop Slab Saver.....	42
Abaco Drilling Guide.....	43
Abaco Miter Fit Clamp.....	44
Abaco Miter Set Clamp.....	45



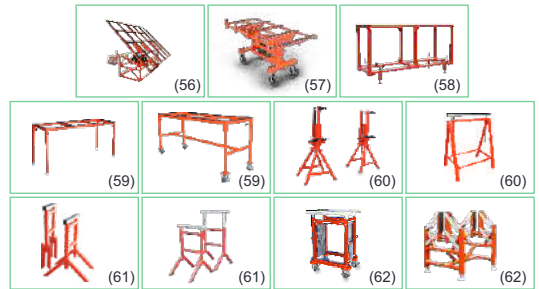
BOOMS & BARS

	Page
Abaco Forklift Boom AFJ25-B.....	46
Abaco Smart Forklift Boom ASFJ27.....	46
Abaco Forklift Boom.....	47
Abaco Swing-arm Forklift Boom.....	47
Abaco Telescopic Forklift Boom.....	48
Abaco Container Bundle Slab Loader.....	49
Abaco Container Bundle Slab Load - Unloader Pro.....	50
Abaco Forklift Extensions.....	51
Abaco Column Articulate Crane (jib Crane).....	51
Abaco Hook Forklift.....	52
Abaco Spreader Bar M1.....	52
Abaco Spreader Bar M4.....	53
Abaco Spreader Bar M6.....	53
Abaco Spreader Bar M7.....	54
Abaco Spreader Bar M9.....	54
Abaco Super Glass Load Frame.....	55



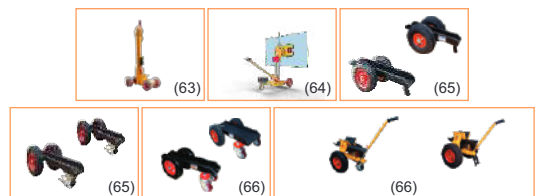
TABLES & STANDS

	Page
Abaco Tilt Glass Cutting Table.....	56
Abaco Power Kitchen Processing Table.....	57
Abaco Working Table.....	58
Abaco Flexible Work Table.....	59
Abaco Flexible Work Table-4 Wheels.....	59
Abaco Edge Polishing Stand-Vertical.....	60
Abaco Fabrication Stand.....	60
Abaco Economy Fabrication Stand.....	60
Abaco Easy Adjustable Fabrication Stand.....	61
Abaco Easy Adjustable Fabrication Stand Seni.....	61
Abaco Qli Foldable Table.....	62
Abaco Edge Polishing Stand – Auto Lock.....	62



TROLLIES & BUGGIES

	Page
Abaco Ez-pro Winch Cart.....	63
Abaco Manual Vacuum Grip Lifter.....	64
Abaco Slab Dolly.....	65
Abaco 3 Wheel Slab Dolly.....	65
Abaco 4 Wheel Slab Dolly.....	66
Abaco Self-locking Trolley (M2, M3).....	66



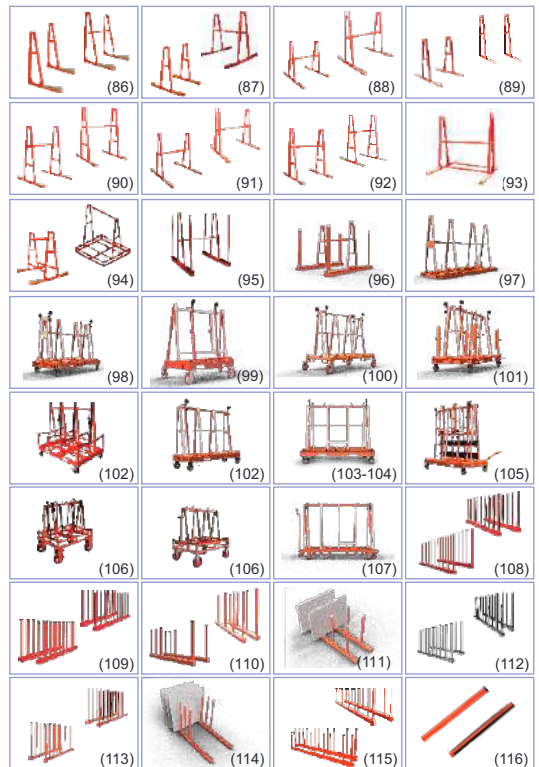
TROLLEES & BUGGIES

	Page
Abaco Self-locking Trolley (M6)	67
Abaco Self-locking Trolley (M7)	68
Abaco Safety Slab Dolly	69
Abaco Self-locking Dolly	69
Abaco Tug Dolly (ATD19, ATD25, ATD60)	70
Abaco Elevating Hand Cart	71
Abaco V-cart	71
Abaco Slab Rack Dolly	72
Abaco Folding Trolley Frame	72
Abaco Nesting Dual Drywall Cart 049	73
Abaco Qli Drywall Cart 039	74
Abaco Smart Slab Buggy	75
Abaco Double Sided Slab Buggy	76-77
Abaco Slab Buggy	78
Abaco Qli Slab Buggy	79
Abaco Qli Double Sided Slab Buggy	79
Abaco Universal Slab Buggy	80
Abaco Porcelain Slab Cart	81
Abaco Flexible Transport Cart	82
Abaco Oversized Glass Transport Cart	83
Abaco Flat Stacking Cart	84
Abaco Dropside Truck A-frame	85



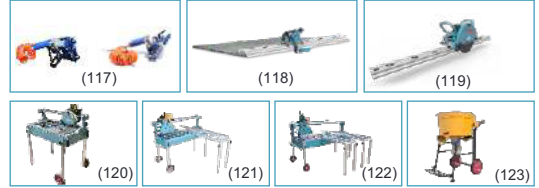
A-FRAMES & RACKS

	Page
Abaco Single Sided A-frame	86
Abaco Single Sided Truck A-frame	86
Abaco Standard A-frame	87
Abaco Truck A-frame	87
Abaco Qli Truck A-frame 060	88
Abaco Qli A-frame 060	89
Abaco Qli Truck A-frame 074	90
Abaco Qli Folding Truck A-frame 060	91
Abaco Qli Folding Truck A-frame 074	92
Abaco Easy Load A-frame	93
Abaco Heavy Duty Truck A-frame	94
Abaco Qli Smart Load A-frame	94
Abaco Universal A-frame (UAF70)	95
Abaco Universal A-frame (UAF15)	96
Abaco Heavy Duty Folding One Stop A-frame	97
Abaco Folding One-stop A-frame	98
Abaco Nesting Single Sided Cart	99
Abaco Smart One Stop A-frame	100
Abaco One Stop A-frame Pro	101
Abaco One Stop High A-frame	102
Abaco One Stop Single Sided A-frame	102
Abaco One Stop A-frame	103-104
Abaco Bi - Level A-frame	105
Abaco One Stop A-frame	106
Abaco Demountable Frame	106
Abaco One Stop A-frame	107
Abaco Slab Rack	108
Abaco Qli Slab Rack	109
Abaco Bundle Slab Rack	110
Abaco Qli Bundle Slab Rack	110
Abaco Qli Universal Bundle Slab Rack	111
Abaco Rhino Slab Rack	112
Abaco Qli Rhino Slab Rack	113
Abaco Qli Universal Slab Rack	114
Abaco Remnant Slab Rack	115
Abaco Spare Poles	116



SPECIALIZED MACHINES

	Page
Abaco Air Polishing Machine.....	117
Abaco Rail Machine 5 In 1.....	118
Abaco Stone Rail Saw.....	119
Abaco Tile Saw.....	120
Abaco Stone Saw MODS1.....	121
Abaco Stone Saw MODS2.....	122
Abaco Mortar Mixer.....	123



OTHER

	Page
Abaco Dehydrator (Sludge Filter).....	124
Abaco Collapsible Dumpster (Tilt Dumpster).....	125
Abaco Drop Bottom Dumpster.....	126
Abaco Safety Corner Slab Rack Wedge.....	127
Abaco Multi/Corner Slab Rack Wedge.....	128
Abaco Slab Wedge.....	128
Abaco Cable Connect Sling.....	129
Abaco Swivel Shackles.....	129
Abaco Swivel Hook.....	129
Abaco Bow Shackle.....	130
Abaco Stonemason Sleeves.....	130
Abaco Stone Mason Apron.....	130





ABACO LITTLE GIANT LIFTER AUTOMATIC

- A family of powerful lifters fit for a wide range of slab handling operations.
- Large section of the lifter is located in front allowing placing slabs close against the background wall, a compact design to easily operate in narrow places.
- Large size, natural rubber coated gripping pads, together with its PATENTED automatic clamping system enhance slabs safety.



NOTE: Swivel shackle included

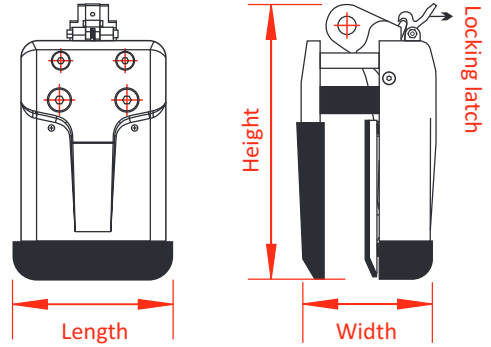
- Available in Black (-B) and White (-W) rubber

- The lifter can combine with AMSS85 for transporting multi slabs at once safely and efficiently.



Model	Length In (mm)	Width In (mm)	Height In (mm)	Grip Range In (mm)	Net Weight lbs (kg)	Work Load Limit lbs (kg)
ALG40A	8 7/16 (214)	6 13/16 (173)	15 3/16 (385)	3/16 ~ 1 1/16 (5 ~ 40)	52.8 (24)	2860 (1300)
ALG50A	8 7/16 (214)	7 1/4 (184)	15 3/16 (385)	3/8 ~ 1 15/16 (10 ~ 50)	52.8 (24)	2860 (1300)
ALG60A	8 7/16 (214)	8 5/8 (206)	16 3/4 (425)	13/16 ~ 2 3/8 (20 ~ 60)	63.8 (29)	3300 (1500)
ALG75A	8 7/16 (214)	8 1/2 (216)	16 3/4 (425)	1 3/16 ~ 2 15/16 (30 ~ 75)	64.9 (29.5)	3300 (1500)

- A family of powerful lifters fit for a wide range of slab handling operations.
- Large section of the lifter is located in front allowing placing slabs close against the background wall, a compact design to easily operate in narrow places.
- Large size, natural rubber coated grip pads together with the smart clamping system enhance safe slab lifting.



Note: Swivel shackle included

- Available in Black (-B) and White (-W) rubber
- The lifter can combine with AMSS85 for transporting multi slabs at once safely and efficiently.



VERSATILITY

SIZE

SAFETY

The Abaco Lifters are ideal for construction jobs. The clamping mechanism is at the front of the slab which allows panels to be positioned closely against the walls.

The compact design enables smooth operation in tight locations. To lift multiple slabs, always use Abaco Muti Slab Safeguard Sling.

Intelligent and compact design provide a maximum protection for users.

Model	Length In (mm)	Width In (mm)	Height In (mm)	Grip Range In (mm)	Net Weight lbs (kg)	Work Load Limit lbs (kg)
ALG30	7 7/8 (200)	5 1/16 (144)	12 13/16 (326)	3/8 ~ 1 3/16 (10 ~ 30)	34.1 (15.5)	2200 (1000)
ALG50	8 5/16 (211)	7 3/16 (183)	14 9/16 (370)	3/8 ~ 1 15/16 (10 ~ 50)	50.6 (23)	2860 (1300)
ALG60	8 1/2 (216)	7 15/16 (202)	15 7/8 (403)	13/16 ~ 2 3/8 (20 ~ 60)	61.6 (28)	3300 (1500)
ALG75	8 1/2 (216)	8 7/16 (214)	15 7/8 (403)	1 3/16 ~ 2 15/16 (30 ~ 75)	61.6 (28)	3300 (1500)




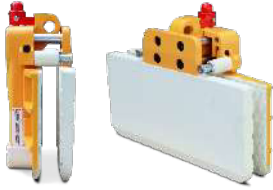

ABACO SKY RIDER LIFTER AUTOMATIC

- Two models, two grip ranges, both with super large surface, natural rubber coated gripping pads to easily/safely handle stone, granite, marble, porcelain slabs or glass sheets.
- Patented auto lock mechanism and included swivel shackle allow 360° slabs rotation.
- Mainly made of aluminum for lightweight and high durability purposes.



Note: Swivel shackle included

- Available in Black (-B) and White (-W) rubber
- ASL30A can combine with AMSS85 for transporting multi slabs at once safely and efficiently.

<p>AUTOMATIC Patented auto lock mechanism</p>  <p>AUTOMATIC</p> <p>Clamp plate opening and closing automatic mechanism.</p>	 <p>WIDER CLAMP PLATES</p> <p>Enhance gripping force and protect large-sized fragile slab from damage and breakage.</p>	 <p>VERSATILE</p> <p>Better grip both natural and artificial stone slabs in various thicknesses.</p>
---	---	---

Model	Length In (mm)	Width In (mm)	Height In (mm)	Grip Range In (mm)	Net Weight lbs (kg)	Work Load Limit lbs (kg)
ASL20A	12 7/16 (316)	4 13/16 (122)	10 5/16 (262)	0 ~ 13/16 (0 ~ 20)	19.8 (9)	1100 (500)
ASL30A	19 5/16 (490)	5 7/16 (138)	13 13/16 (351)	0 ~ 1 3/16 (0 ~ 30)	59.4 (27)	2200 (1000)

ABACO SUPER MULTI MATERIAL LIFTER AUTOMATIC



- Three models with different grip ranges and work load limit to handle various material slabs.
- Compact in size and with high quality natural rubber pads to safely operate in narrow places.

Note: Swivel shackle included (ASVL20A, ASVL30A), Swivel Hook included (ASVL50A)

- Available in Black (-B) and White (-W) rubber

- The lifter can combine with AMSS85 for transporting multi slabs at once safely and efficiently.



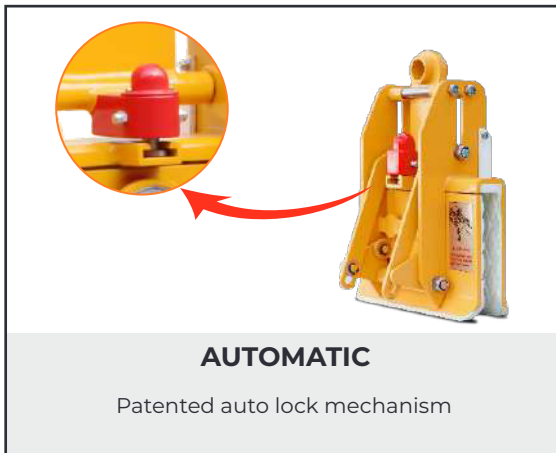
ASVL20A



ASVL30A



ASVL50A



AUTOMATIC

Patented auto lock mechanism



UTILITY

Super efficient for flat and thin sheets of materials weighting up to 1540 lbs (700 kg)

Model	Length In (mm)	Width In (mm)	Height In (mm)	Grip Range In (mm)	Net Weight lbs (kg)	Work Load Limit lbs (kg)
ASVL20A	9 13/16 (250)	5 13/16 (147)	12 3/4 (323)	0 ~ 13/16 (0 ~ 20)	19.8 (9)	660 (300)
ASVL30A	13 3/4 (350)	6 5/8 (169)	14 1/2 (368)	0 ~ 1 3/16 (0 ~ 30)	28.6 (13)	1100 (500)
ASVL50A	19 11/16 (500)	9 7/8 (231)	18 3/4 (476)	0 ~ 1 15/16 (0 ~ 50)	55 (25)	1540 (700)



ABACO BISON LIFTER

Clamping enforced by three sturdy rollers for a distributed and balanced grip together with high quality rubber coated pads and a swivel shackle offer max safety even with large slabs/ materials. Two models:

- * ABL150 with smart clamping system
- * ABL150A with PATENTED automatic clamping system

ABACO BISON LIFTER

ABL150



ABACO BISON LIFTER AUTOMATIC

ABL150A



Note: Swivel shackle included

- Available in Black (-B) and White (-W) rubber
- The lifter can combine with AMSS160 for transporting multi slabs at once safely and efficiently.



Model	Length In (mm)	Width In (mm)	Height In (mm)	Grip Range In (mm)	Net Weight lbs (kg)	Work Load Limit lbs (kg)
ABL150	15 7/16(392)	8 1/4 (210)	18 1/8 (459)	3/16 ~ 5 7/8 (5~150)	74.8 (34)	3960 (1800)
ABL150A	15 7/16 (392)	8 1/4 (210)	18 1/8 (459)	3/16 ~ 5 7/8 (5 ~ 150)	75.9 (34.5)	3960 (1800)

- The Abaco Falcon Lifter is designed to lift and move stone slabs.
- The lifter is mainly made of steel, so it is sturdy and durable in harsh environment.
- Two clamp plates are covered by rubber pads to protect the stone slabs during operation and transportation.
- The lifter can clamp many types of stone slab with different thickness from $1\frac{3}{16}$ " (20 mm) to $2\frac{9}{16}$ " (65mm).

Note: Swivel shackle included

- Available in Black (-B) and White (-W) rubber
- The lifter can combine with AMSS85 for transporting multi slabs at once safely and efficiently.

ABACO FALCON LIFTER

AFL65



ABACO FALCON LIFTER AUTOMATIC

AFL65A



AUTOMATIC

Patented auto lock mechanism



Model	Length In (mm)	Width In (mm)	Height In (mm)	Grip Range In (mm)	Net Weight lbs (kg)	Work Load Limit lbs (kg)
AFL65	8 $\frac{7}{8}$ (226)	8 $\frac{7}{16}$ (214)	16 $\frac{3}{4}$ (426)	$1\frac{3}{16}$ ~ 2 $\frac{9}{16}$ (20 ~ 65)	73.7 (33.5)	2200 (1000)
AFL65A	8 $\frac{7}{8}$ (226)	8 $\frac{7}{16}$ (214)	16 $\frac{3}{16}$ (411)	$1\frac{3}{16}$ ~ 2 $\frac{9}{16}$ (20 ~ 65)	74.8 (34)	2200 (1000)

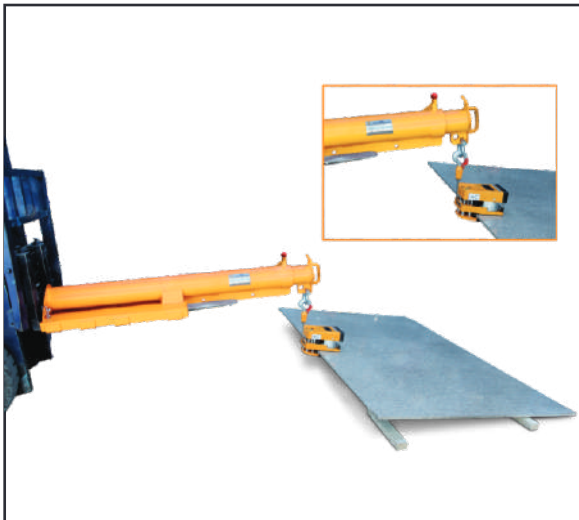


ABACO STONE CRAB LIFTER AUTOMATIC

- Designed to handle heavy slabs made of either natural or artificial stone.
- It features a swivel hook and a steel cable to make slab operations easy.



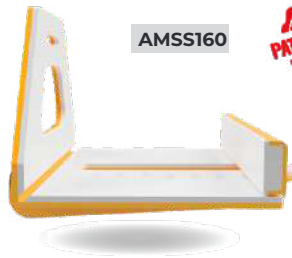
Note: Bow shackle included
Available in Black (-B) and White (-W) rubber



Model	Length In (mm)	Width In (mm)	Height In (mm)	Grip Range In (mm)	Net Weight lbs (kg)	Work Load Limit lbs (kg)
ASCL50A	8 9/16 (217)	7 5/8 (194)	22 1/4 (565)	5/16 ~ 1 15/16 (15 ~ 50)	56.1 (25.5)	2640 (1200)

ABACO MULTI SLAB SAFEGUARD SLING

- Multi Slab Safeguard Sling is combined with lifters to transport many slabs at the same time.
- The rubber pads on the clamp plates increase the gripping force and keep the material from damaging and scratching.
- The device is designed with protection features to ensure operator safety and productivity.



AMSS160



AMSS85



ABL150A

AFL65A

ASVL50A

COMBINED WITH MANY DIFFERENT LIFTER MODELS



SIMPLE DESIGN - SAFETY - EASY TO USE

Model	Length - In (mm)	Width - In (mm)	Height - In (mm)	Net Weight - lbs (kg)
AMSS85	6 7/8 (175)	7 7/8 (200)	6 13/16 (173)	6.6 (3)
AMSS160	9 13/16 (250)	7 7/8 (200)	6 13/16 (173)	7.7 (3.5)

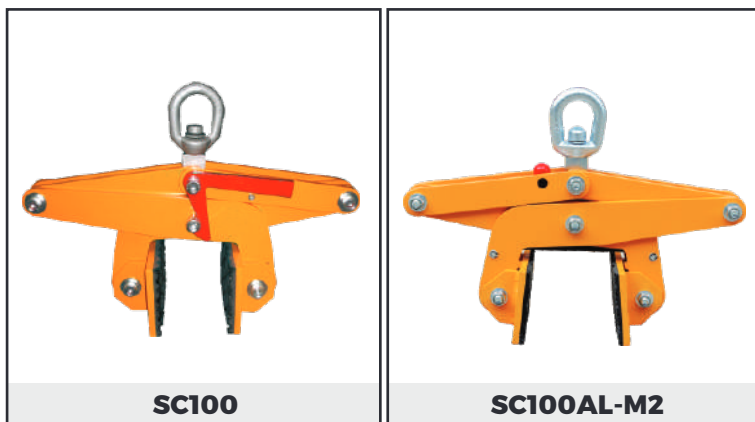
Model	Grip Range - In (mm)	Applicable Lifter Models
AMSS85	9/16 - 3 3/8 (15 - 85)	ALG, AFL65, AFL65A, ASL30A, ASVL, APL20, APL20-M2
AMSS160	15/16 - 6 5/16 (25 - 160)	ABL150, ABL150A



ABACO SCISSOR CLAMP

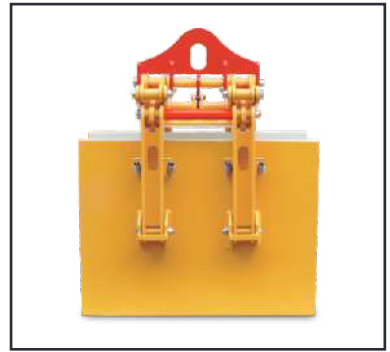
Abaco Scissor Clamp is an invaluable tool for lifting slabs, barriers, curbs, median walls, and tombstones. The jaws of the lifter are lined with long lasting and fully vulcanized natural rubber pads to ensure a safe and non-marking grip.

SC100AL-M2: Clamps are gravity controlled, open automatically in idle condition and close when lifted.



Model	Length In (mm)	Width In (mm)	Height In (mm)	Grip Range In (mm)	Net Weight lbs (kg)	Work Load Limit lbs (kg)
SC100	21 5/16 (542)	7 1/16 (180)	15 3/4 (400)	3/8 ~ 3 15/16 (10~100)	47.3 (21.5)	2860 (1300)
SC100AL-M2	21 5/16 (542)	7 1/16 (180)	15 3/4 (400)	3/8 ~ 3 15/16 (10~100)	47.3 (21.5)	2860 (1300)
SC150	23 1/4 (590)	9 13/16 (250)	18 1/16 (458)	1 1/16 ~ 5 7/8 (30~150)	77 (35)	3300 (1500)
SC350	22 5/8 (575)	9 13/16 (250)	20 13/16 (528)	5/8 ~ 13 3/4 (150~350)	112.2 (51)	3520 (1600)
SC400	27 15/16 (710)	9 13/16 (250)	20 1/2 (520)	7/8 ~ 15 3/4 (200~400)	114.4 (52)	2420 (1100)

Scissor Clamp is an invaluable lifting equipment for slabs, barriers, curbs, median walls, and tombs stones.



Model	Length In (mm)	Width In (mm)	Height In (mm)	Grip Range In (mm)	Net Weight lbs (kg)	Work Load Limit lbs (kg)
SC300	31 1/2 (800)	21 5/16 (548)	39 1/4 (997)	3 15/16 ~ 11 13/16 (100 ~ 300)	479.6 (218)	3520 (1600)

ABACO BARRIER HEAVY LIFTER

Abaco Barrier Heavy Lifter (ABHL3200) is an ideal solution to safely lift, move, lower large, slabs, blocks made of stone. Vulcanized rubber and extended clamp plates protect stone from damage increasing gripping force while clamping. This lifter is operated by gravity controlled mechanism, automatically open in idle condition and close when lifted.

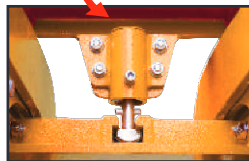
BIG LOAD: Heavy lifter work load max limit is up to 7040 lbs (3200 kg).

Note: Swivel shackle included

Available in Black (-B) and White (-W) rubber



Auto open - lock mechanism



Model	Length In (mm)	Width In (mm)	Height In (mm)	Grip Range In (mm)	Net Weight lbs (kg)	Work Load Limit lbs (kg)
ABHL3200	27 5/16 (700)	33 3/16 (843)	26 1/4 (667)	3 15/16 ~ 11 13/16 (100 ~ 300)	358.6 (163)	7040 (3200)



ABACO MULTI MATERIAL LIFTER AUTOMATIC

- Abaco Multi Material Lifter Automatic is mainly designed to clamp and lift the material slabs.
- Clamping mechanism is fully automatic
- Clamp plates large surface is covered by rubber to prevent slab damage when moved in any direction.
- Two guide rods lead the lifter to the right position; then four upper level wheels in the bottom help fixing the ideal contact of rubber covered clamps.

Note: Swivel shackle included

APL20



APL20-M2



PATENTED AUTOMATIC LOCKING DESIGN



AUTOMATIC CLAMP



SAFETY RUBBER PAD



GUIDE SHAFT

The clamping mechanism is fully automatic.

The contact surface of lifter is covered by rubber pads to prevent damage or crack when lifting.

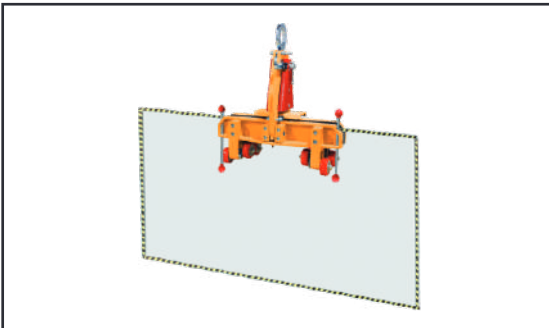
Two guide shafts lead the lifter to the right position.

Model	Length In (mm)	Width In (mm)	Height In (mm)	Grip Range In (mm)	Net Weight lbs (kg)	Work Load Limit lbs (kg)
APL20	30 1 ¹ / ₁₆ (780)	10 7 ¹ / ₁₆ (265)	22 1 ¹ / ₄ (565)	3 ¹ / ₁₆ ~ 1 ³ / ₁₆ (4 ~ 20)	51.7 (23.5)	660 (300)
APL20-M2	21 1 ¹ / ₈ (536)	6 1 ¹⁵ / ₁₆ (176)	16 3 ¹ / ₄ (424)	0 ~ 1 ³ / ₁₆ (0 ~ 20)	25.3 (11.5)	880 (400)

- No electricity or compressed air is needed as the pick-up and release operation is fully automatic and mechanically controlled.
- Abaco Glass Lifter is designed to safely and securely handling glass sheets.
- Its fully automatic clamps with extended grip surface require minimal labor force.
- It has four lower wheels to easily move it on the ground.
- Two guide rods lead Abaco Glass lifter to the right position; then four upper level wheels in the bottom help fixing rubber covered clamps ideal contact.
- To ensure extra protection use with glass has an additional layer of vulcanized rubber on clamps.
- Compact design and lightweight help its easy transportation and storage.

ABACO GLASS LIFTER

AGL28



Model	Length In (mm)	Width In (mm)	Height In (mm)	Grip Range In (mm)	Net Weight lbs (kg)	Work Load Limit lbs (kg)
AGL28	23 ³ / ₁₆ (598)	8 ⁹ / ₁₆ (218)	25 ³ / ₁₆ (640)	³ / ₁₆ ~ 1 ¹ / ₈ (4 ~ 28)	63.8 (29)	1760 (800)

ABACO PRO-GLASS LIFTER

APGL40

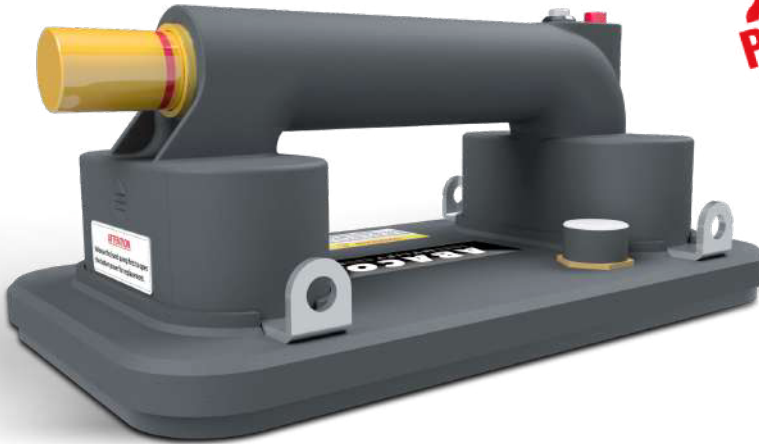


Model	Length In (mm)	Width In (mm)	Height In (mm)	Grip Range In (mm)	Net Weight lbs (kg)	Work Load Limit lbs (kg)
APGL40	29 ¹ / ₁₆ (738)	9 ⁷ / ₁₆ (240)	26 ⁷ / ₈ (683)	³ / ₁₆ ~ 1 ¹ / ₁₆ (4 ~ 40)	79.2 (36)	3080 (1400)



ABACO MYLIFT "PORTABLE ELECTRIC VACUUM LIFTER"

Portable Electric Vacuum Lifter is a hand-held tool designed to lift and move small and medium-sized sheets of material in workshops or construction sites.



FEATURES	PVL100	PVL100PRO
WIDE APPLICATION: Use for variety of surface materials.	✓	✓
HAND PUMP MODE: Alternative mode when battery run out.	✓	✓
WARNING SYSTEM: An audible-visual alarm system provides safety during lifting and moving material.	✗	✓
AUTOMATIC MECHANISM: The vacuum is activated and re-pump automatically.	✗	✓

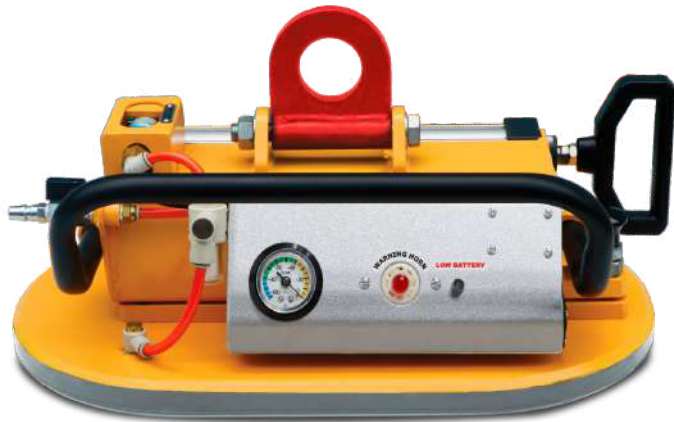
Model	Length In (mm)	Width In (mm)	Height In (mm)	Net Weight lbs (kg)	Work Load Limit lbs (kg)
PVL100	11 7/16 (291)	6 1/2 (165)	5 (127)	3.74 (1.7)	220 (100)
PVL100PRO	11 7/16 (291)	6 1/2 (165)	5 (127)	3.96 (1.8)	220 (100)

ABACO DUAL PUMP VACUUM LIFTER

- Abaco Dual Pump Vacuum Lifter (ADPVL250) is designed for lifting / lowering and transporting stone slabs with allowable work load limit. It is usually combined with a hoist to lift stone slabs onto a working table or move it within a warehouse, workshop. The most prominent feature of this ADPVL250 is to use the compressed air if it is available in the workshop to create suction force or use the hand pump to lift stone slabs. The vacuum force is always maintained steadily during the working process. The suction cups are made of soft rubber material which enhances the adhesion between the stone slab and the suction cups, also prevent contact damage. To prevent operating with lower pressure, a double audio-visual alarm is integrated. Compact design for easy transport and storage.



WARNING SYSTEM



Hand pump **Available air connector**

Has pneumatic components to create vacuum connected to either air compressor or a hand pump.

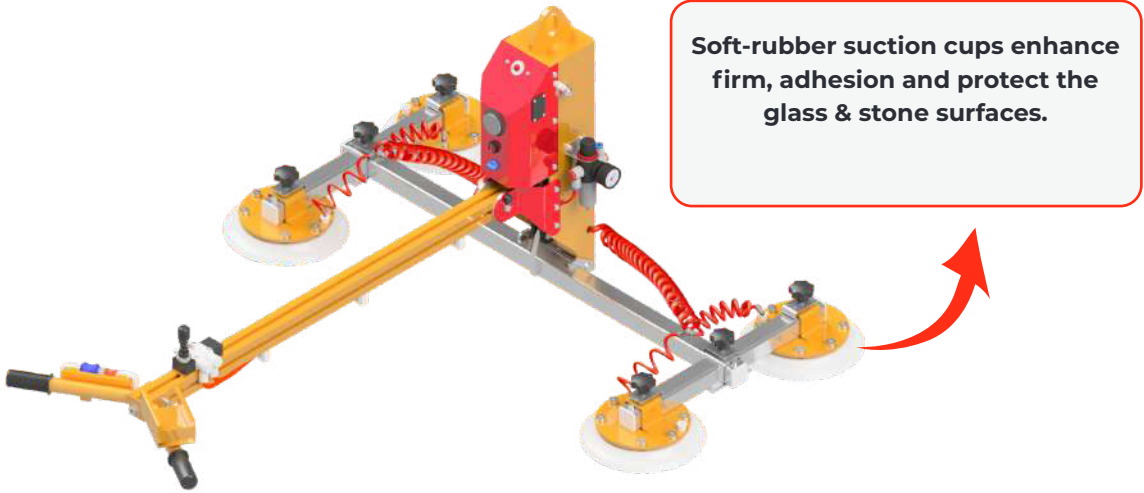
Detachable suction cup with a rail line is easy to couple with the pneumatic components.

Designed for lifting/lowering and transporting stone slabs or other non-porous materials with allowable work load limit.

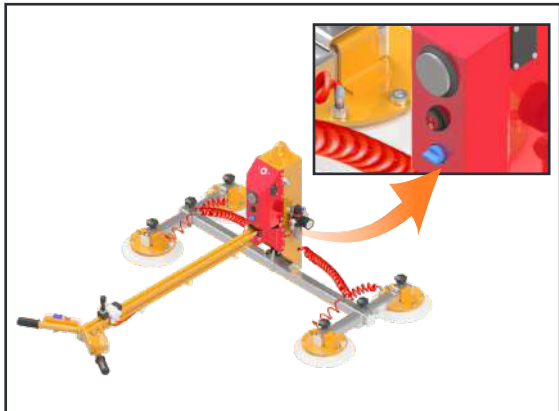
Model	Length In (mm)	Width In (mm)	Height In (mm)	Net Weight lbs (kg)	Work Load Limit lbs (kg)
ADPVL250	21 3/8 (543)	12 1/2 (318)	7 3/8 (187)	44 (20)	550 (250)

ABACO QLI VACUUM LIFTER

Abaco Qli Vacuum Lifter is a powerful tool for handling glass sheet and stone slab with a maximum weight of 440 pounds. Due to its simple modular design, each lifter component can be detached for easier transportation and maintenance.

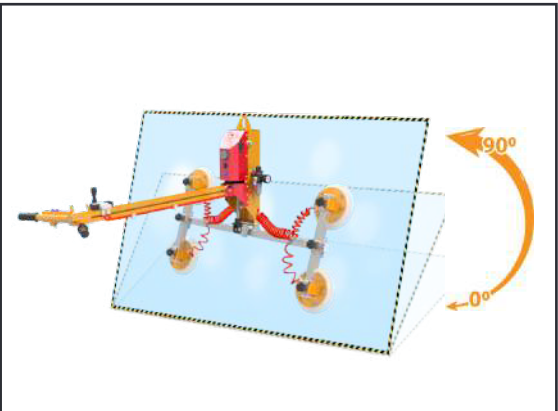


Soft-rubber suction cups enhance firm, adhesion and protect the glass & stone surfaces.



WARNING SYSTEM

An acoustic & visual low vacuum warning informs the operator.



EASY ROTATION - FLIP

The AQVL200 lifter can safely tilt the glass sheet or stone slab from 0 to 90 degrees and back for flexible positioning.

Model	Length In (mm)	Width In (mm)	Height In (mm)	Inclined angle	Net Weight lbs (kg)	Work Load Limit lbs (kg)
AQVL200	58 1/8 (1476)	45 3/16 (1147)	24 1/8 (612)	90°	70.4 (32)	440 (200)

ABACO STONE VACUUM LIFTER (SVL25)



Abaco Stone Vacuum Lifter (SVL25) is designed to lift smooth-surface stone slabs, powered by compressed air with a lifting capacity of 550 lbs (250 kg). It features robust construction with the ability to lift and tilt the stone slab.



The incorporated audible and visual alarm system operated by 9v battery provides a safe manipulation for the user.

Model	Length In (mm)	Width In (mm)	Height In (mm)	Net Weight lbs (kg)	Work Load Limit lbs (kg)
SVL25	36 ¹ / ₁₆ (935)	25 ³ / ₄ (654)	39 ¹ / ₁₆ (1014)	118.8 (54)	550 (250)

Number of Vacuum Pads	Minimum slab dimensions - In (mm)	Tilt angle	Vacuum pressure (kg/cm ²)	Air compressed source provided (kg/cm ²)
1 pc	24 ⁷ / ₁₆ x 16 ⁵ / ₁₆ (620 x 415)	0° ~ 90°	- 0.7 ~ - 0.8	6 ~ 8

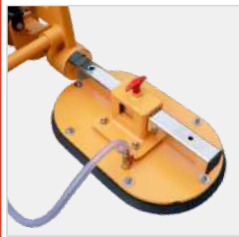


ABACO STONE VACUUM LIFTER (SVL50)

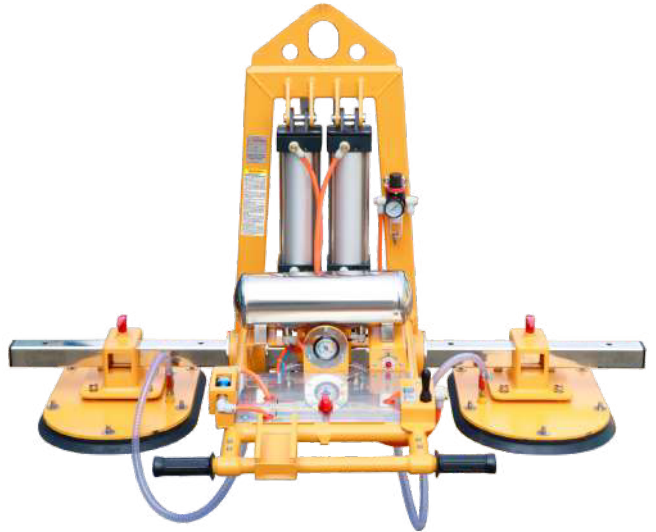
Abaco Stone Vacuum Lifter (SVL50) is designed to lift smooth-surface stone slabs, powered by compressed air with a lifting capacity of 1100 lbs (500 kg). It features robust construction with the ability to lift and incline the stone slab.



The incorporated audible and visual alarm system operated by 9v battery provides a safe manipulation for the user.



The suction cups can manually rotate 90 degrees



This trolley is included with product

Model	Length In (mm)	Width In (mm)	Height In (mm)	Net Weight lbs (kg)	Work Load Limit lbs (kg)
SVL50	41 7/16 (1053)	55 1/2 (1410)	61 5/8 (1566)	200.2 (91)	1100 (500)

Number of Vacuum Pads	Minimum slab dimensions - In (mm)	Tilt angle	Vacuum pressure (kg/cm ²)	Air compressed source provided (kg/cm ²)
2 pcs	44 1/8 x 24 7/16 (1120 x 620)	0° ~ 90°	- 0.7 ~ - 0.8	6 ~ 8

ABACO STONE VACUUM LIFTER (SVL75)



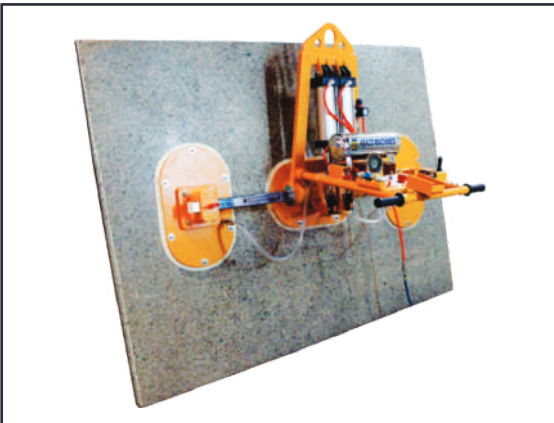
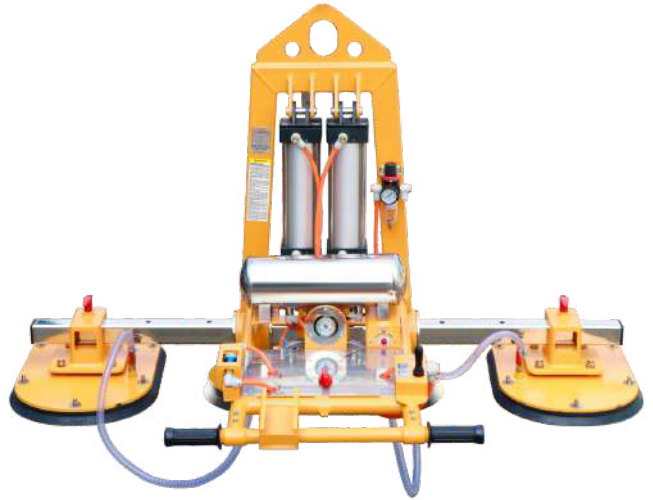
Abaco Stone Vacuum Lifter (SVL75) is designed to lift smooth-surface stone slabs, powered by compressed air with a lifting capacity of 1650 lbs (750 kg). It features robust construction with the ability to lift and incline the stone slab.



The incorporated audible and visual alarm system operated by 9v battery provides a safe manipulation for the user.



The suction cups can manually rotate 90 degrees



Model	Length In (mm)	Width In (mm)	Height In (mm)	Net Weight lbs (kg)	Work Load Limit lbs (kg)
SVL75	37 1/8 (943)	71 1/8 (1806)	62 1/4 (1581)	213.4 (97)	1650 (750)

Number of Vacuum Pads	Minimum slab dimensions - In (mm)	Tilt angle	Vacuum pressure (kg/cm ²)	Air compressed source provided (kg/cm ²)
3 pcs	51 15/16 x 24 7/16 (1320 x 620)	0° ~ 90°	- 0.7 ~ - 0.8	6 ~ 8



ABACO STONE VACUUM LIFTER (SVL100)

Abaco Stone Vacuum Lifter (SVL100) is designed to lift smooth-surface stone slabs, powered by compressed air with a lifting capacity up to 2200 lbs (1000 kg). It features robust construction with the ability to lift and tilt the stone slab.



The incorporated audible and visual alarm system operated by 9v battery provides a safe manipulation for the user.



The suction cups can manually rotate 90 degrees



This trolley is included with product

Model	Length In (mm)	Width In (mm)	Height In (mm)	Net Weight lbs (kg)	Work Load Limit lbs (kg)
SVL100	52 1 ⁵ / ₁₆ (1344)	55 1 ² / ₂ (1410)	61 5 ⁸ / ₁₆ (1566)	330 (150)	2200 (1000)

Number of Vacuum Pads	Minimum slab dimensions - In (mm)	Tilt angle	Vacuum pressure (kg/cm ²)	Air compressed source provided (kg/cm ²)
4 pcs	51 ¹⁵ / ₁₆ x 31 ¹ / ₂ (1320 x 800)	0° ~ 90°	- 0.7 ~ - 0.8	6 ~ 8

ABACO MULTI STONE VACUUM LIFTER



Multi Stone Vacuum Lifter (AMSVL100) is a powerful tool for transporting large-size slabs. It is usually combined with a hoist to lift stone slabs onto a processing table or to move it within a warehouse or a workshop.



The product is equipped with trolley to move and store stone slabs easily

	<p>The incorporated audible and visual alarm system operated by 9v battery provides a safe manipulation for the user.</p>
	<p>The suction cups can manually rotate 90 degrees</p>

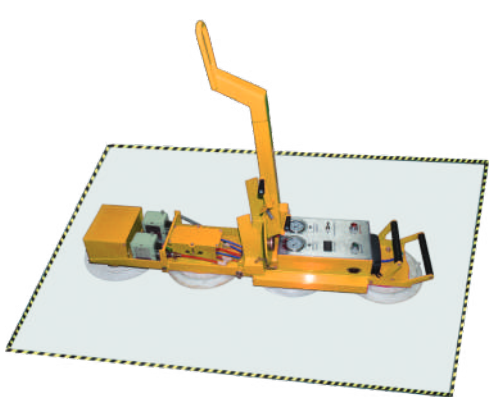
Model	Length In (mm)	Width In (mm)	Height In (mm)	Net Weight lbs (kg)	Work Load Limit lbs (kg)
AMSVL100	52 1 ¹ / ₁₆ (1345)	86 7 ⁸ / ₁₆ (2206)	61 5 ⁸ / ₁₆ (1566)	330 (150)	2200 (1000)

Number of Vacuum Pads	Minimum slab dimensions - In (mm)	Tilt angle	Vacuum pressure (kg/cm ²)	Air compressed source provided (kg/cm ²)
4 pcs	90 3 ¹ / ₁₆ x 25 3 ¹ / ₁₆ (2300 x 640)	0° ~ 90°	- 0.7 ~ - 0.8	6 ~ 8

ABACO VACUUM LIFTER (DVL400)

- For large material panes up to 880 lbs (400 kg)
- Good vacuum force and good maneuverability in every direction
- Independent from AC power can safely work everywhere independently from AC power





For battery - powered only:

- Battery charge time: 6 hrs 30 mins
- Full battery charge allows up to around 150 vacuum-release cycles.

W.L.L.: Work Load Limit

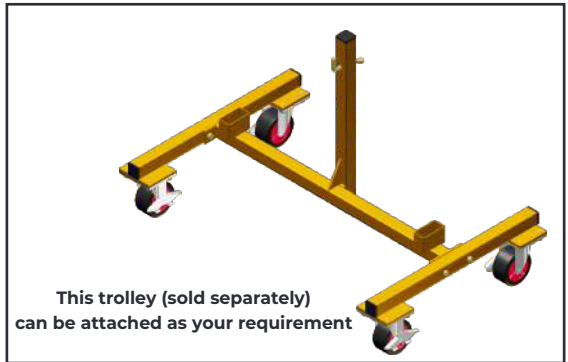
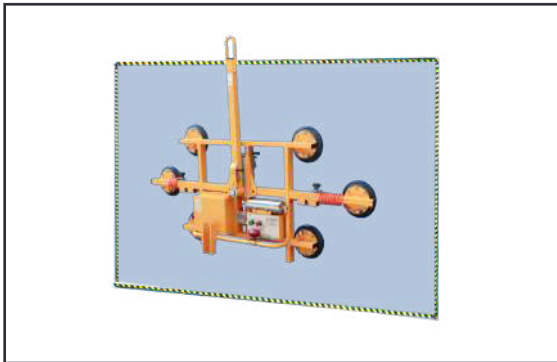
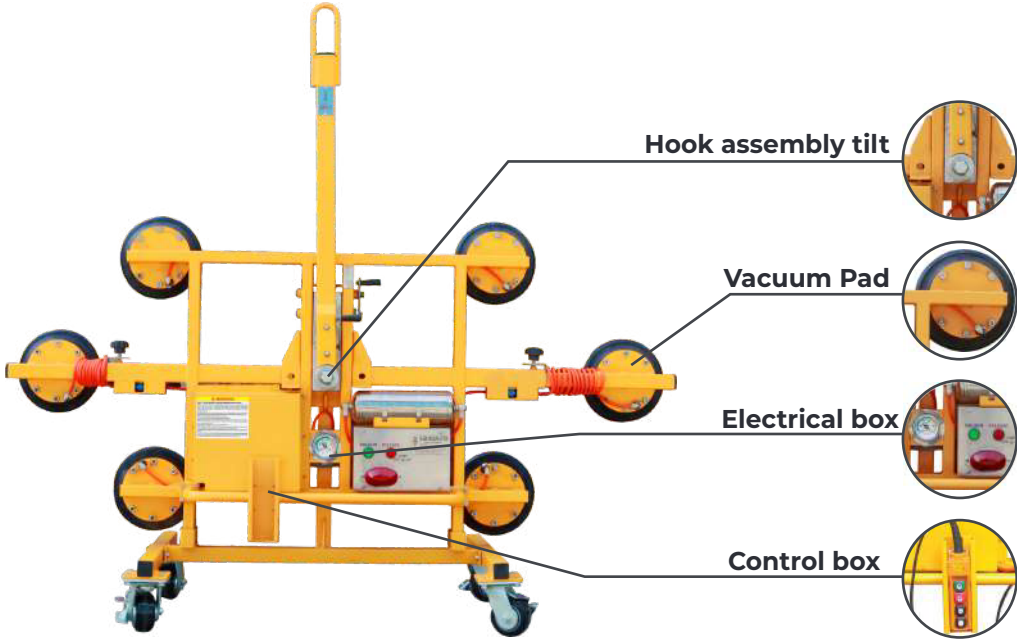
Model	Length In (mm)	Width In (mm)	Height In (mm)	Net Weight lbs (kg)	W.L.L. lbs (kg)	Diameter of vacuum pads - In (mm)
DVL400	53 ¼ (1352)	11 ⅜ (300)	40 ½ (1029)	132 (60)	880 (400)	11 ⅜ (300)

Number of vacuum pads	Minimum material slab dimensions In (mm)	Rotate angle	Tilt angle	Voltage	Battery capacity	Power charger	
						USA	INTERNATIONAL
4 pcs	13 ¾ x 39 ¾ (350 x 1000)	180°	90°	12V-DC	12V/18Ah	110V-AC	220V-AC

ABACO VACUUM LIFTER (AVL480)



For large material panes up to 1056 lbs (480kg). Features superior vacuum force and maneuverability in every direction.



W.L.L.: Work Load Limit

Model	Length In (mm)	Width In (mm)	Height In (mm)	Net Weight lbs (kg)	W.L.L. lbs (kg)	Diameter of vacuum pads - In (mm)
AVL480 <i>(Electric Powered)</i>	59 1/16 (1500)	68 5/16 (1735)	12 1/16 (305)	158.4 (72)	1056 (480)	9 13/16 (250)

Number of vacuum pads	Minimum material slab dimensions In (mm)	Rotate angle	Tilt angle	Power charger	
				USA	INTERNATIONAL
6 pcs	70 7/8 x 39 3/8 (1800 x 1000)	Left: 90° Right: 90°	90°	110V-AC	220V-AC



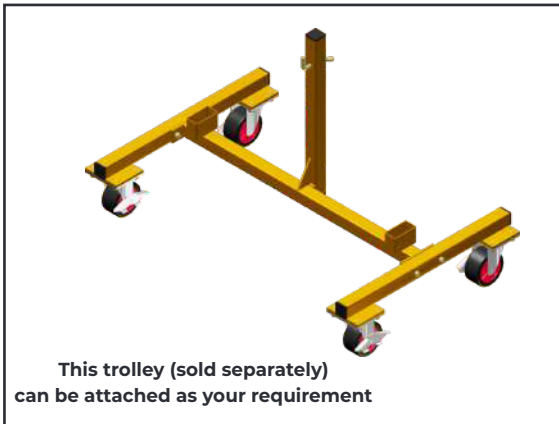
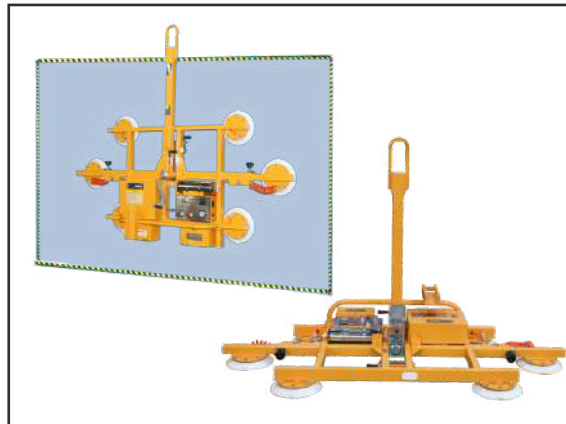
ABACO VACUUM LIFTER (DVL480)

For large material panes up to 1056 lbs (480 kg). Features superior vacuum force and maneuverability in every direction.



For battery - powered only:

- Battery charge time: 6 hrs 30 mins
- Full battery charge allows up to around 150 vacuum-release cycles.



This trolley (sold separately) can be attached as your requirement

W.L.L.: Work Load Limit

Model	Length In (mm)	Width In (mm)	Height In (mm)	Net Weight lbs (kg)	W.L.L. lbs (kg)	Diameter of vacuum pads - In (mm)
DVL480 <i>(Battery Powered)</i>	59 1/16 (1500)	68 3/16 - 84 1/16 (1735 - 2135)	12 1/16 (305)	160.6 (73)	1056 (480)	9 13/16 (250)

Number of vacuum pads	Minimum material slab dimensions In (mm)	Rotate angle	Tilt angle	Voltage	Battery capacity	Power charger	
						USA	INTERNATIONAL
6 pcs	70 7/8 x 39 3/8 (1800 x 1000)	Left: 90° Right: 90°	90°	12V-DC	12V/18Ah	110V-AC	220V-AC

ABACO VACUUM LIFTER (AVL500)



- For large material panes up to 1100 lbs (500 kg).
- Superior vacuum force and maneuverability in every direction.



Optional trolley (sold separately) can be attached for easy movement & storage.



W.L.L.: Work Load Limit

Model	Length In (mm)	Width In (mm)	Height In (mm)	Net Weight lbs (kg)	W.L.L. lbs (kg)	Diameter of vacuum pads - In (mm)
AVL500 <i>(AC Electric Powered)</i>	66 ⁵ / ₁₆ (1685)	51 ⁵ / ₁₆ (1310)	12 ⁵ / ₈ (320)	160 (73)	1100 (500)	11 ¹³ / ₁₆ (300)

Number of vacuum pads	Minimum material slab dimensions In (mm)	Rotate angle	Tilt angle	Power charger	
4 pcs	33 ⁷ / ₁₆ x 35 ⁷ / ₁₆ (850 x 900)	Left: 90° Right: 90°	90°	USA	INTERNATIONAL
				110V-AC	220V-AC



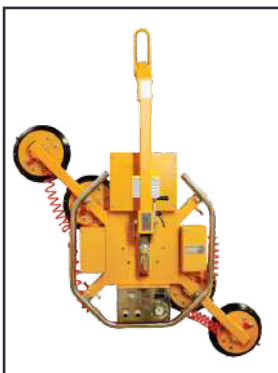
ABACO VACUUM LIFTER (DVL500)

- For large material panes up to 1100 lbs (500 kg)
- Superior vacuum force and maneuverability in every direction



For battery - powered only:

- Battery charge time: 6 hrs 30 mins
- Full battery charge allows up to around 150 vacuum-release cycles.



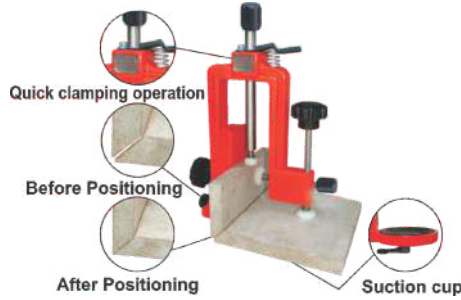
W.L.L.: Work Load Limit

Model	Length In (mm)	Width In (mm)	Height In (mm)	Net Weight lbs (kg)	W.L.L. lbs (kg)	Diameter of vacuum pads - In (mm)
DVL500 <i>(Battery Powered)</i>	66 ⁵ / ₁₆ (1685)	51 ⁵ / ₁₆ (1310)	12 ⁵ / ₈ (320)	172.7 (78.5)	1100 (500)	11 ¹³ / ₁₆ (300)

Number of vacuum pads	Minimum material slab dimensions In (mm)	Rotate angle	Tilt angle	Voltage	Battery capacity	Power charger	
						USA	INTERNATIONAL
4 pcs	33 ⁷ / ₁₆ x 35 ⁷ / ₁₆ (850 x 900)	360°	90°	12V-DC	12V/18Ah	110V-AC	220V-AC

ABACO 90° CLAMP

- 90° Clamp is designed for perfect positioning and locking of fascia apron to your countertop via mitre joint.
- 90° Clamp is made of aluminum.
- Its adjustable jaw allows holding various heights and thicknesses.

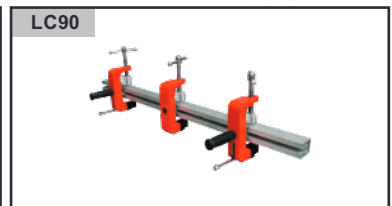
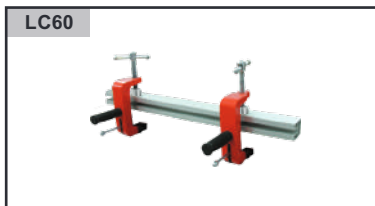


SOLD IN PAIRS

MODEL	Length In (mm)	Width In (mm)	Height In (mm)	Net Weight Per Pair - lbs (kg)	Max. Material Height - In (mm)	Max. Material Thickness - In (mm)
A90CM3	9 7/16 (240)	5 3/8 (136)	13 3/16 (345)	12.1 (5.5)	10 1/16 (255)	1 3/16 (40)

ABACO LAMINATION CLAMPS

Specially designed to hold multiple slabs together while they are being laminated and glued.



MODEL	Length - In (mm)	Number of clamps	Net Weight - lbs (kg)	Grip Range - In (mm)
LC30	11 13/16 (300)	1	3.74 (1.7)	2 3/16 (65)
LC60	23 5/8 (600)	2	7.7 (3.5)	2 3/16 (65)
LC90	35 3/16 (900)	3	11 (5)	2 3/16 (65)
LC120	47 1/4 (1200)	4	13.2 (6)	2 3/16 (65)
LC180	70 7/8 (1800)	5	19.8 (9)	2 3/16 (65)

ABACO SINGLE HANDED CARRY CLAMPS

Abaco Single Handed Carry Clamps are designed to safely lift and carry stone slab in an upright position. Abaco Single Handed Carry Clamps require only one hand for per person. Two men can easily lift and handle heavy slab. It is portable and safe to use. Rubber padded jaws are vulcanized to increase grip pressure and protect slab from scratching.



SOLD IN PAIRS



MODEL	Length In (mm)	Width In (mm)	Height In (mm)	Grip Range In (mm)	Net Weight Per Pair - lbs (kg)	Work Load Limit Per Piece - lbs (kg)
SHC25	7 1/16 (201)	4 3/4 (120)	7 7/8 (200)	0 ~ 1 1/16 (0 ~ 25)	6.6 (3)	220 (100)
SHC40	9 3/8 (238)	4 3/4 (120)	7 7/8 (200)	3/16 ~ 1 9/16 (5 ~ 40)	6.6 (3)	220 (100)

ABACO DOUBLE HANDED CARRY CLAMPS

Abaco Double Handed Carry Clamps are designed to safely lift and transport stone slab without using a forklift truck. The fully vulcanized rubber pads provide added grip and prevent from damage to the slab.



SOLD IN PAIRS



MODEL	Length In (mm)	Width In (mm)	Height In (mm)	Grip Range In (mm)	Net Weight Per Pair - lbs (kg)	Work Load Limit Per Piece - lbs (kg)
ACC40	11 5/16 (288)	5 1/8 (130)	9 7/8 (240)	0 ~ 1 1/16 (0 ~ 40)	12.1 (5.5)	550 (250)
ACC60	13 11/16 (348)	5 3/8 (132)	9 7/8 (240)	0 ~ 2 3/8 (0 ~ 60)	12.1 (5.5)	550 (250)

ABACO DOUBLE HANDED GIANT CARRY CLAMPS

Abaco Double Handed Giant Carry Clamps (ADHGC100) is a handy tool for lifting and moving small to medium sized of stone slabs without using a forklift truck or other equipments. Clamp jaws are covered by the rubber layer provide the gripping force firmly and increase the slab's surface protection.



The fully vulcanized rubber pads provide added grip and prevent from damage to the slab

SOLD IN PAIRS

MODEL	Length In (mm)	Width In (mm)	Height In (mm)	Grip Range In (mm)	Net Weight Per Pair - lbs (kg)	Work Load Limit Per Piece - lbs (kg)
ADHGC100	20 ¹³ / ₁₆ (528)	5 ³ / ₈ (136)	11 ⁷ / ₁₆ (290)	0 ~ 3 ¹⁵ / ₁₆ (0 ~ 100)	20.9 (9.5)	440 (200)

ABACO EASY WORK SINGLE CARRY CLAMP

Abaco Easy Work Single Carry Clamp is designed for lifting small and medium-sized slabs manually and safely, and for transporting without using a forklift or any equipment. It is very handy and useful at workshops, work sites, etc. and ideal for lifting and moving the slabs independently.



SOLD IN PAIRS

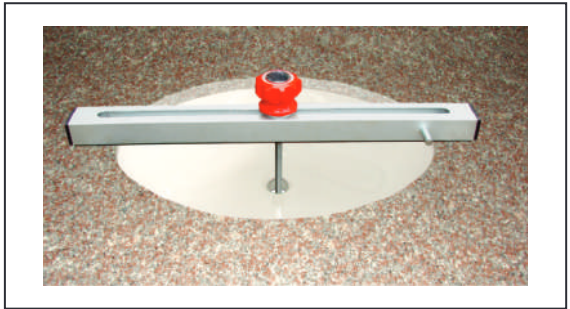


Model	Length In (mm)	Width In (mm)	Height In (mm)	Grip Range In (mm)	Net Weight Per Pair - lbs (kg)	Work Load Limit Per Pair - lbs (kg)
EWSCC50	9 ⁷ / ₈ (251)	5 ³ / ₈ (137)	7 ¹ / ₁₆ (195)	³ / ₁₆ ~ 1 ¹⁵ / ₁₆ (5 ~ 50)	5.5 (2.5)	220 (100)

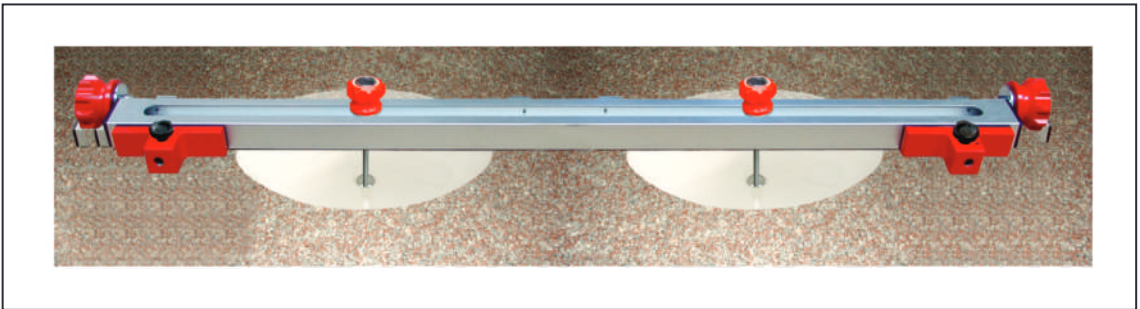
ABACO SINK LOCK

- The Abaco Sink Lock is specifically designed for positioning and gluing of sink to the countertop. It ensures absolute positioning and secures the work.
- Sink Lock securely supports your sink while the glue is curing and has a quick release lock for easy removal.
- It includes carrying case.

SLS24



SLD48



MODEL	Length In (mm)	Width In (mm)	Height In (mm)	Depth Cap In (mm)	Net Weight lbs (kg)	Work Load Limit lbs (kg)
SLS24	24 ¼ (616)	5 ⅞ (150)	20 ⅞ (523)	14 ¼ (362)	5.28 (2.4)	660 (300)
SLD48	48 11/16 (1236)	5 ⅞ (150)	20 ⅞ (523)	14 ¼ (362)	9.9 (4.5)	660 (300)

ABACO RATCHET SEAM SETTER M2

With the Abaco Ratchet Seam Setter M2, your countertops will be perfectly joined and leveled. With two 8 inch (203 mm) diameter suction cups, our Seam Setter is strong enough for the required tasks. The Abaco Ratchet Seam Setter M2 has two leveling points to prevent slippage.



Before



After



Model	Length In (mm)	Width In (mm)	Height In (mm)	Net Weight lbs (kg)	Cup Diameter In (mm)
ARSS2	15 ¹⁵ / ₁₆ ~ 19 ⁵ / ₁₆ (405 ~ 490)	10 ⁷ / ₈ (276)	8 ⁷ / ₈ (225)	13.2 (6)	8 (203)

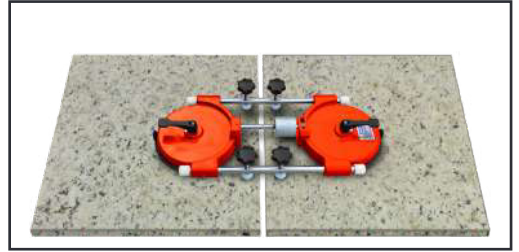
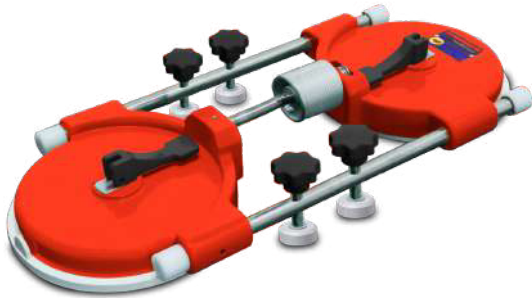
ABACO QLI SEAM SETTER WITH SUCTION CUPS

Abaco Qli Seam Setter With 2x8 or 4x5 Suction cups are new models of Seam Setter series aiming for increasing the productivity level. Instead of turn-knobs, all suction cups are equipped with levers so that it can be easily operated for vacuum action. One more impressive feature is the operator can simply align the slabs gap just using the knurled roller.

ABACO QLI SEAM SETTER WITH 2X8 SUCTION CUPS

AQSSW2x8

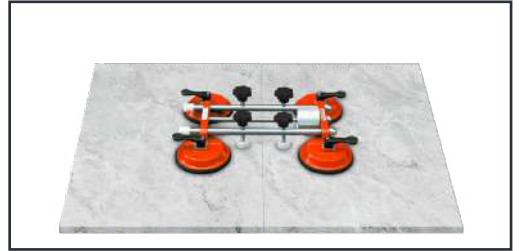
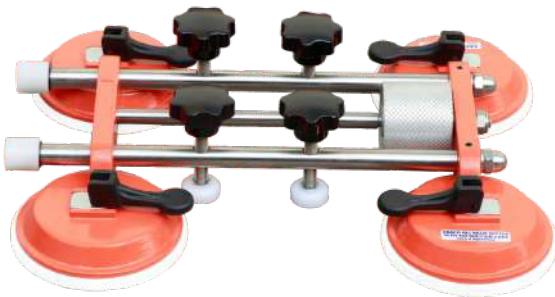
Lightweight & Strong Aluminum
Precise leveling
Reliable hold



ABACO QLI SEAM SETTER WITH 4X5 SUCTION CUPS

AQSSW4x5

Lightweight, compact,
easy to transport.

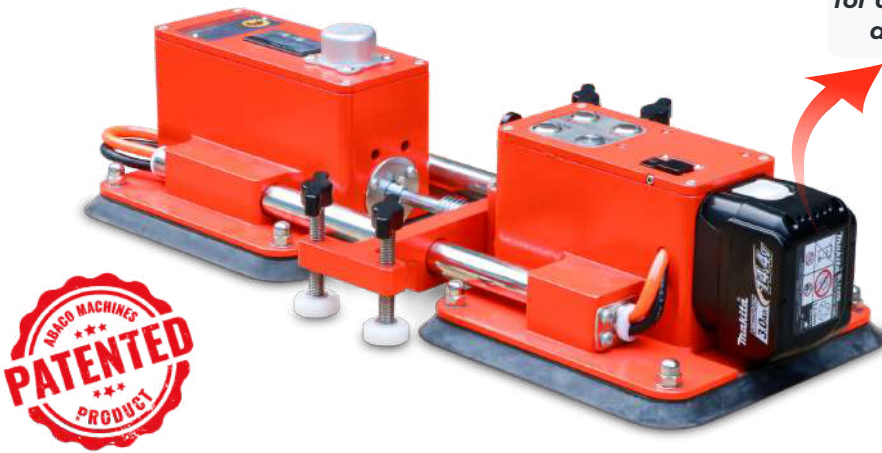


Model	Length In (mm)	Width In (mm)	Height In (mm)	Net Weight lbs (kg)
AQSSW2x8	22 ¼ (565)	9 13/16 (250)	3 5/16 (90)	12.1 (5.5)
AQSSW4x5	15 ¾ (400)	12 ¾ (315)	3 7/16 (87)	9.9 (4.5)

ABACO EZ-PRO BATTERY SEAM SETTER

- Abaco EZ-Pro Battery Seam Setter (AEBSS12V-M2) is designed with easy adjustment feature to help position and equally join the two slabs together by their edges before gluing.
- Two rectangular suction cups are made of soft rubber material which enhances firm adhesion between the two stone slab tiles and the suction cups.
- This seam setter is fully operated by battery system via the control buttons functioned Power, Vacuum, Release, and Movement.

Removable battery for quick disassembly and reassembly



Before



After



CONTROL PANEL

Fully operated by battery power via push-button system.



PULLING MOTOR

Easily pull the two suction cups separately or fix these cups position thanks to the lever adjustment.



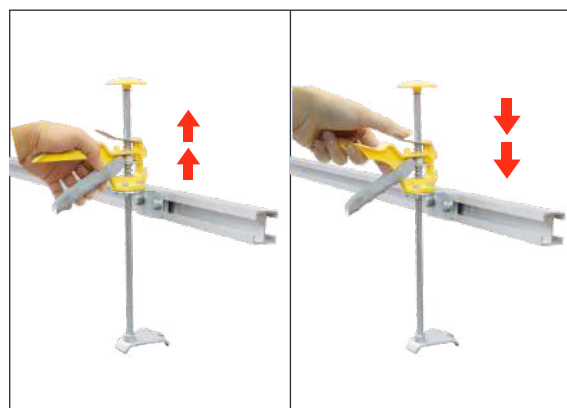
LEVELING SCREWS

Fine-tune the seam for an equal height accurately.

MODEL	Length - In (mm)	Width - In (mm)	Height - In (mm)	Net Weight - lbs (kg)	Voltage - (VDC)
AEBSS12V-M2	20 1/16 (510)	11 1/16 (288)	5 1/16 (142)	18.7 (8.5)	18V - 4Ah

ABACO EZ-PRO LEVEL EXTENDER

Abaco EZ-Pro Level Extender is especially made for accurate precision support when wall paneling tiles detached from ground. Shafts are made of stainless steel and bar is made of aluminum to be lightweight and durable.



Simple to adjust vertical level handles



Aluminum bar supports the tiles during paneling process

Model	Length In (mm)	Width In (mm)	Height In (mm)	Net Weight lbs (kg)	Work Load Limit lbs (kg)
AELE7811	78 ¾ (2000)	8 ⅛ (206)	15 ⅞ (403)	7.04 (3.2)	308 (140)

ABACO DOUBLE/TRIPLE SUCTION LIFTER

- Designed to move large stone, glass, heavy slabs.
- Strong vacuum is simply generated by two large suction clamps; easy to go and reliable
- Handle is made of aluminum alloy for light and resistant

ABACO DOUBLE SUCTION LIFTER

SLD121



ABACO TRIPLE SUCTION LIFTER

SLT128



MODEL	Length In (mm)	Width In (mm)	Height In (mm)	Net Weight lbs (kg)	Work Load Limit lbs (kg)
SLD121	12 ¹⁵ / ₁₆ (329)	4 ³ / ₄ (120)	2 ⁷ / ₈ (73)	2.2 (1)	198 (90)
SLT128	12 ¹³ / ₁₆ (326)	8 ¹⁵ / ₁₆ (227)	2 ⁷ / ₈ (73)	3.3 (1.5)	330 (150)

ABACO HAND HELD SUCTION

- Designed for lifting and moving flat and smooth surface materials like glass and furniture, etc.
- Compact, light-weight, and durable for heavy items.
- Attach to the surface firmly and release quickly with no mark.
- Suction Cups can be easily removed for cleaning purpose.

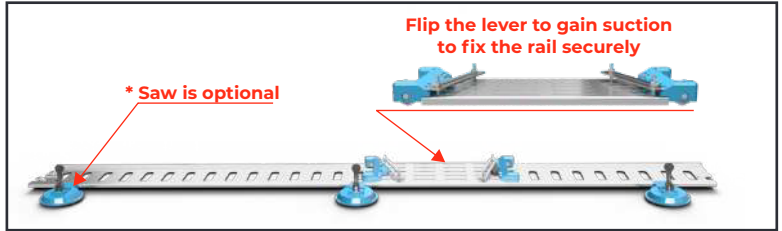
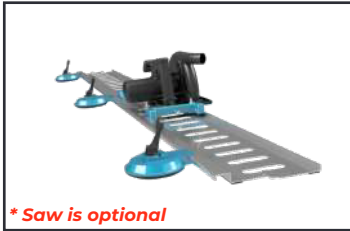
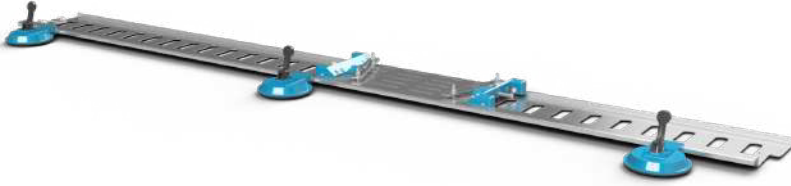
This product is the best for stone and glass.



MODEL	Length In (mm)	Width In (mm)	Height In (mm)	Diameter In (mm)	Net Weight lbs (kg)	Work Load Limit lbs (kg)
VC200P	8 ¹ / ₈ (206)	8 ¹ / ₈ (206)	3 ¹ / ₈ (79)	8 ¹ / ₈ (206)	1.76 (0.8)	176 (80)

ABACO GUIDE RAIL 200

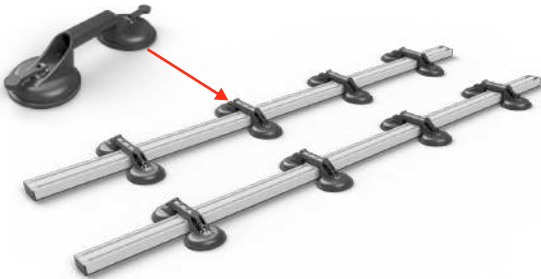
Guide rails make your work easier by allowing you to align your cut perfectly as well as ensure anti-slip protection on the bottom.



MODEL	Length In (mm)	Width In (mm)	Height In (mm)	Net Weight lbs (kg)
AGR200	78 ¾ (2000)	12 ½ (317)	1 ⅞ (47)	23.1 (10.5)

ABACO COUNTERTOP SLAB SAVER

With this saver, the kitchen top with sink hole and the thin fragile slab like porcelain can be handled and transported easily.



Model	Length In (mm)	Width In (mm)	Height In (mm)	Number Of Aluminum Bars - (pcs)	Number Of Suction Cups - (pcs)	Net Weight lbs (kg)
ACS83	82 11/16 (2100)	12 15/16 (330)	3 ⅞ (79)	2	8	44 (20)

ABACO DRILLING GUIDE M2

DGM2

- Portable, efficient and versatile
- Able to drill in various positions
- Two suction cups hold firmly for precision drilling
- Sturdy and durable axis bar
- Simple, fast and effective

Note: Drill is not included.



ABACO DRILLING GUIDE M3

DGM3

- Portable, Efficient and Versatile.
- The three suction cups are designed to secure DGM3 firmly on a slab to prevent from moving or shaking.
- Drilling guide body is made of aluminum for lightweight and easy to use.
- Firm and accurate drilling jig enables higher capacity for effective operations.

Note: Drill is not included.



MODEL	Length In (mm)	Width In (mm)	Height In (mm)	Net Weight lbs (kg)	Drill fitting diameter with and without collar - In (mm)
DGM2	20 1/2 (520)	8 5/8 (225)	16 (407)	15.4 (7)	1 11/16 (43) - 2 1/16 (53)
DGM3	15 9/16 (395)	15 15/16 (406)	15 13/16 (402)	17.6 (8)	1 11/16 (43) - 2 1/16 (53)

ABACO MITER FIT CLAMP

- An ideal tool for positioning, joining and gluing the two stone slabs perpendicularly.
- Can be easily mounted to any working table
- AMFC200 consists of three main parts: Sliding rail, Adjustable clamping assembly and Suction clamp.
- Fits different size slabs.
- Knurled knobs accurately position slab and apron.
- Simple to operate, easy to disassemble for storage or transportation.



TABLE IS OPTIONAL



FLEXIBLE

Flexibly combined with many different working table sizes which are available at workshop.



SUCTION CLAMP

Apply and increase the proper physical force from above to hold the slabs more firmly.



ADJUSTABLE CLAMPING ASSEMBLY

Flexibly designed for many different slab sizes.



RUBBER STRIP

Prevent the stone slabs from damage or scratches.

Model	Length In (mm)	Width In (mm)	Height In (mm)	Net weight lbs (kg)
AMFC200	84 5/8 (2150)	15 5/8 (397)	13 1/8 (333)	48.4 (22)

ABACO MITER SET CLAMP

- Has three main components: Table frame, Adjustable Clamping Pads and Suction Cups.
- Ideal to position, join, glue a mitered slab and a front apron.
- Fits different size slabs and extended front apron.
- Slabs contact points have rubber strips for maximum protection.



AMSC120



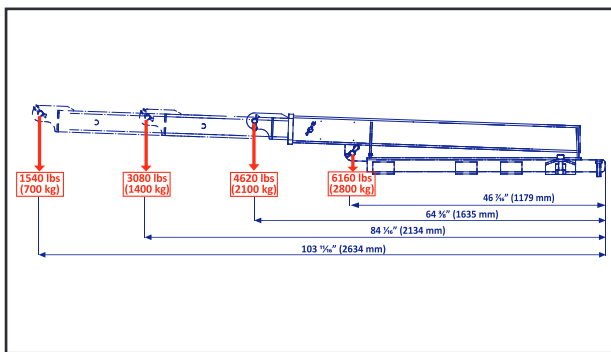
Model	Length In (mm)	Width In (mm)	Height In (mm)	Net weight lbs (kg)	Max. Material Height in (mm)	Max. Material Thickness in (mm)	Adjustable Clamping Pads and Suction Cups
AMSC120	47 ¼ (1200)	23 ⅝ (600)	40 ⅞ (1039)	88 (40)	19 1/16 (500)	2 ⅜ (60)	4 - 2
AMSC150	59 1/16 (1500)	23 ⅝ (600)	40 ⅞ (1039)	103.4 (47)	19 1/16 (500)	2 ⅜ (60)	4 - 2
AMSC200	78 ¾ (2000)	23 ⅝ (600)	40 ⅞ (1039)	123.2 (56)	19 1/16 (500)	2 ⅜ (60)	4 - 2
AMSC240	94 ½ (2400)	23 ⅝ (600)	40 ⅞ (1039)	156.2 (71)	19 1/16 (500)	2 ⅜ (60)	6 - 4
AMSC300	118 ⅞ (3000)	23 ⅝ (600)	40 ⅞ (1039)	166.1 (75.5)	19 1/16 (500)	2 ⅜ (60)	6 - 4



ABACO FORKLIFT BOOM

ABACO FORKLIFT BOOM AFJ25-B

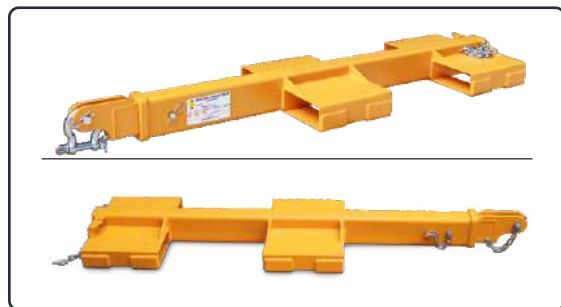
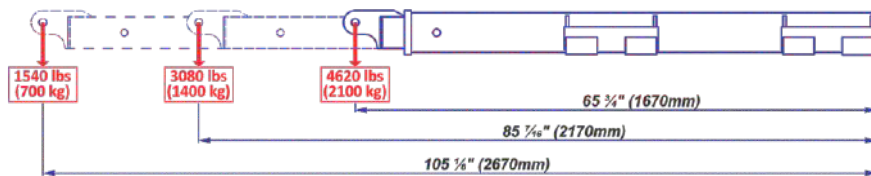
- Provides versatility and maximum visibility to the operator. When fully extended (model AFJ25-B below) lows operations up to 103 1/16" (2634 mm)



MODEL	Length In (mm)	Width In (mm)	Height In (mm)	Max Load When Fully Extended - lbs (kg)	Net Weight lbs (kg)	Work Load Limit lbs (kg)
AFJ25-B	65 13/16 (1672)	25 15/16 (660)	11 5/16 (287)	1540 (700)	204.6 (93)	6160 (2800)

ABACO SMART FORKLIFT BOOM ASFJ27

- ASFJ27 attached to a forklift extends its support and telescopic operation range to handle slabs also in confined spaces. Designed to use in confined spaces and it can fit various length articles by telescopic operation. Easy storage, package and transportation.



MODEL	Length In (mm)	Width In (mm)	Height In (mm)	Net Weight lbs (kg)	Work Load Limit lbs (kg)	Max Load When Fully Extended - lbs (kg)
ASFJ27	67 5/16 (1710)	20 1/2 (520)	5 1/16 (145)	209 (95)	4620 (2100)	1540 (700)

ABACO FORKLIFT BOOM

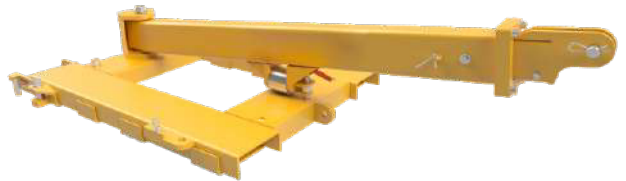
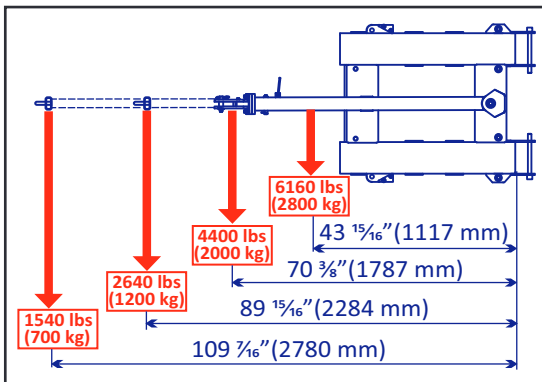
Provides versatility and maximum visibility to the operator. When fully extended, Abaco Forklift Boom reaches up to 140 1/8" (3559 mm).



MODEL	Length In (mm)	Width In (mm)	Height In (mm)	Net Weight lbs (kg)	Work Load Limit lbs (kg)	Max Load When Fully Extended - lbs (kg)
AFJ25	65 3/8 (1661)	25 13/16 (656)	16 5/16 (415)	209 (95)	6160 (2800)	1540 (700)
AFJ35	85 1/16 (2161)	25 15/16 (660)	18 13/16 (478)	310.2 (141)	8800 (4000)	2200 (1000)

ABACO SWING-ARM FORKLIFT BOOM

- Abaco Swing-Arm Forklift Boom is ideal for moving hard to reach slabs. It is particularly designed for load/unload operations in closed top containers and for small factories where space is a critical factor. The swing arm has 5 lock points and various angles with length extended up to 109 7/16" (2780 mm)



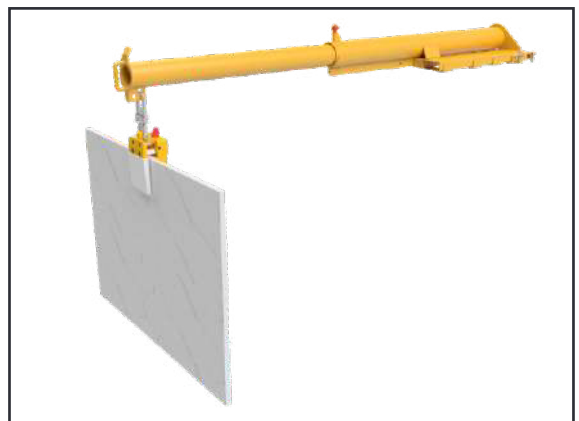
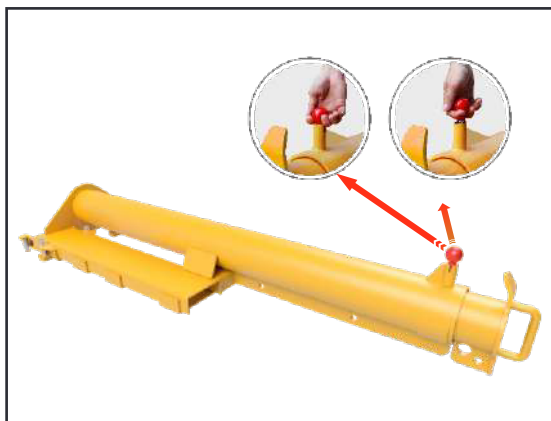
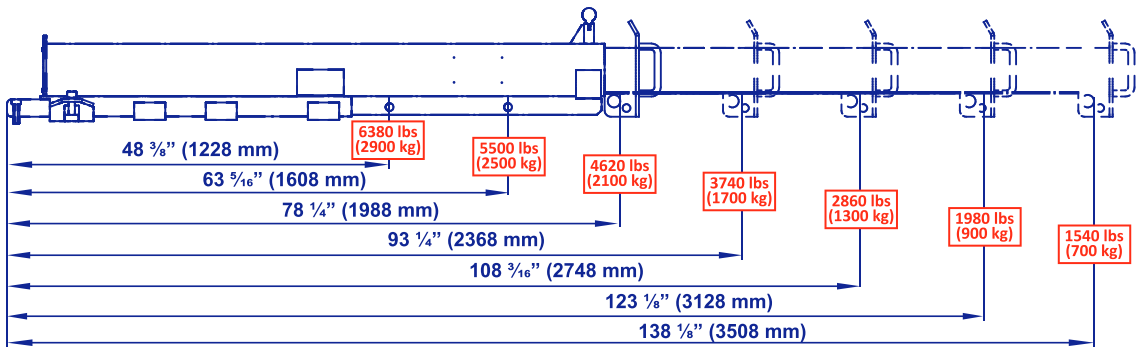
MODEL	Length In (mm)	Width In (mm)	Height In (mm)	Net Weight lbs (kg)	Work Load Limit lbs (kg)	Max Load When Fully Extended - lbs (kg)
AFJS25	71 7/8 (1825)	35 7/16 (900)	16 5/16 (420)	286 (130)	6160 (2800)	1540 (700)



ABACO TELESCOPIC FORKLIFT BOOM

- Abaco Telescopic Forklift Boom is designed in the same way as the pipe cage, which can be adjusted to suit different loads.

- Flexible telescopic capacity up to 138 1/8" (3508 mm)



MODEL	Length In (mm)	Width In (mm)	Height In (mm)	Net Weight lbs (kg)	Work Load Limit lbs (kg)	Max Load When Fully Extended - lbs (kg)
ATFB25	82 5/8 - 142 7/16 (2098 - 3618)	25 15/16 (660)	14 5/8 (371)	343.2 (156)	1540 ~ 6380 (700 ~ 2900)	1540 (700)

ABACO CONTAINER BUNDLE SLAB LOADER



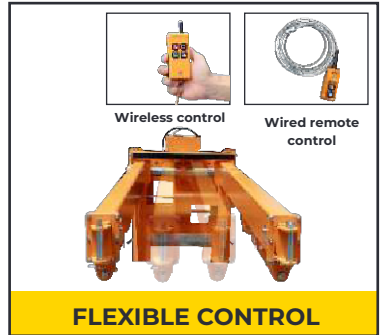
A brand new product for your forklift truck to work like having a hoist. Everything is safe, smooth, quick even when handling heavy bundle of stones up to 5 tons in/off a close top container with limited staff.



Customer testimonial "We are delighted & happy to have your Abaco Bundle Slab Loader"



*** Requires Class 4 Carriage**



Forks extend to flexibly accommodate slab bundle lengths.

The reach of the tubes is unload optimized for various forklift capacity.

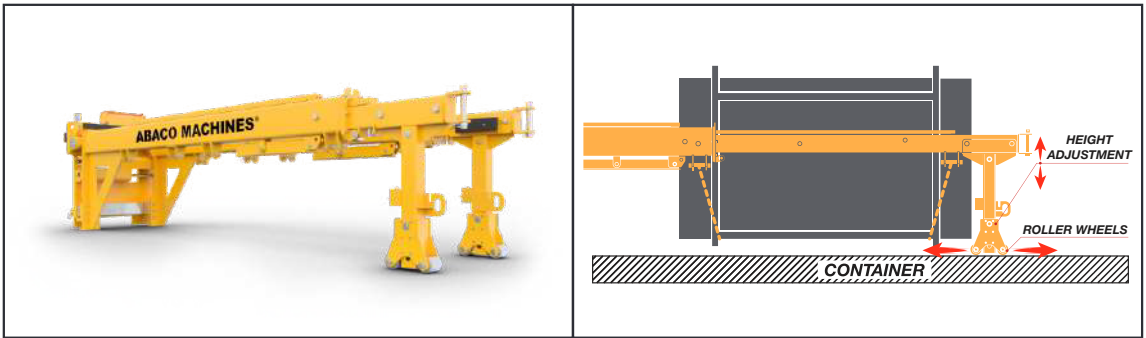
Equipped with wireless control and wired remote control to easily adjust the distance between forks.

MODEL	Length In (mm)	Width In (mm)	Height In (mm)	Net Weight lbs (kg)
ACBSL5T-M2	135 5/8 (3445)	39 3/16 (996)	43 3/16 (1107)	1980 (900)

MODEL	Battery	Work Load Limit lbs (kg)	Distance between 2 tubes In (mm)
ACBSL5T-M2	18V	11000 (5000)	3 1/16 ~ 23 5/8 (100 ~ 600)

ABACO CONTAINER BUNDLE SLAB LOAD - UNLOADER PRO

- Integrated with four extra roller wheels to pull the package from the inside out smoothly.
- Combined with a forklift truck to lift, move and unload packages from the container truck with ease with load capacity up to 11000 lbs (5000 kg).



Forks can flexibly extend up to 235 ¼ (5975 mm) in length to accommodate slab bundle lengths.

The reach of the tubes is unload optimized for various forklift capacity.

Equipped with wireless control and wired remote control to easily adjust the distance between forks.

Model	Length In (mm)	Width In (mm)	Height In (mm)	Net Weight lbs (kg)	Work Load Limit lbs (kg)	Distance between 2 tubes In (mm)
ACBSL5T-PRO	155 ½ (3950)	39 ⅞ (996)	43 ⅞ (1107)	2367.2 (1076)	11000 (5000)	3 ⅞ ~ 23 ⅞ (100 ~ 600)

ABACO FORKLIFT EXTENSIONS

- Ideal to extend your forklift operations range.
- Easy to use, to connect/disconnect for significant time saving.

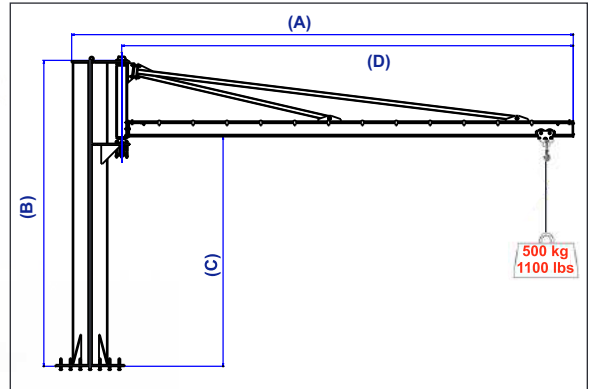


SOLD IN PAIRS

MODEL	AFE083
Length - In (mm)	86 ¼ (2190)
Width - In (mm)	7 ⅝ (182)
Height - In (mm)	2 ¾ (70)
Net Weight Per Pair lbs (kg)	162.8 (74)
Work Load Limit - lbs (kg)	5500 (2500)

ABACO COLUMN ARTICULATE CRANE (JIB CRANE)

Operating in confined space and around impediments, this product can provide simple and economical solutions to these difficulties. It can be combined with the Little Giant Lifter, Auto Lock Cable Lifter, Arcturus Lifter, Scissor Clamp and Stone Vacuum Lifter.



MODEL	Length (A) In (mm)	Height (B) In (mm)	Height (C) In (mm)	Net Weight lbs (kg)	Maximum Reach (D) - In (mm)	Rotated Angle	Work Load Limit lbs (kg)
CAC50-4M	203 ¾ (5175)	161 ⅝ (4105)	129 ½ (3290)	4153.6 (1888)	177 ⅜ (4500)	290°	1320 (600)
CAC50-5M	223 ⅝ (5665)	161 ⅝ (4105)	130 (3302)	4182.2 (1901)	196 ⅞ (5000)	290°	1210 (550)
CAC50-6M	262 ⅝ (6665)	161 ⅝ (4105)	130 ⅝ (3304)	4276.8 (1944)	236 ¼ (6000)	290°	1100 (500)

ABACO HOOK FORKLIFT

- Abaco Hook Forklift is a supporting device when moving materials with a forklift.
- Abaco Hook Forklift has double safety features to avoid slipping off from the forks. One is stopper levers to restrain the hook to the forks, and another is a safety chain to hook to the forklift mast.



Model	AHF25
Length - In (mm)	25 3/16 (640)
Width - In (mm)	4 3/4 (120)
Height - In (mm)	7 1/16 (180)
Net weight - lbs (kg)	40.7 (18.5)
Work Load Limit lbs (kg)	5500 (2500)



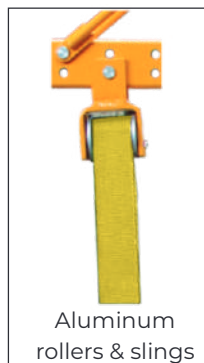
ABACO SPREADER BAR

Abaco Spreader Bar M1 is specifically designed for the stone industry. Combined with endless slings, it can roll the slab over. The slings are suspended on crowned aluminum rollers which can be adjusted from 17 5/16" (440 mm) to 56 11/16" (1440 mm).

ABACO SPREADER BAR M1

This spreader bar has a swivel shackle for 360 ° slab rotation

***Slings are included**



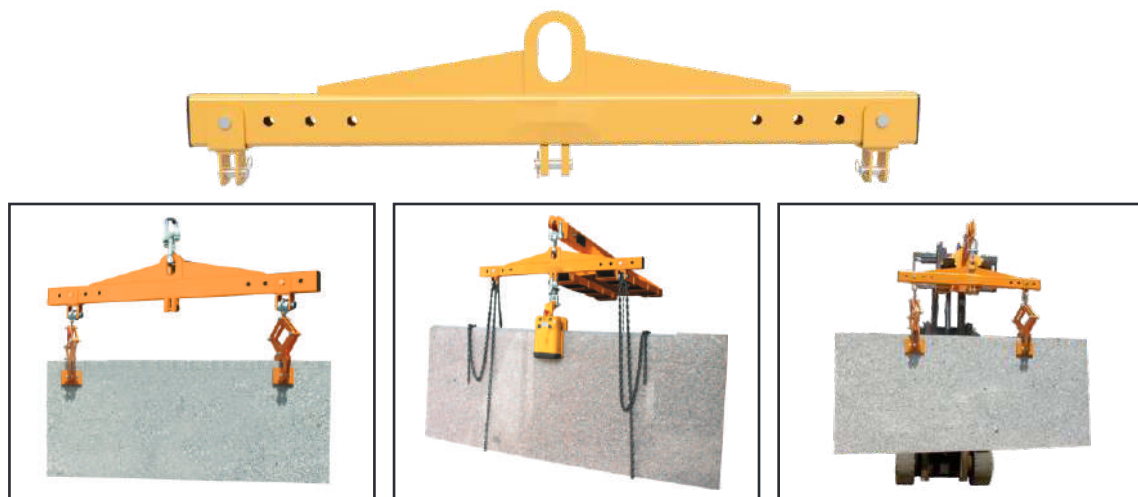
MODEL	Length In (mm)	Width In (mm)	Height In (mm)	Net Weight lbs (kg)	W.L.L. of Sling Belts (set of 2) lbs (kg)	Hangers Distance Range - In (mm)
ASB056M1	59 7/16 (1510)	4 5/16 (110)	36 5/8 (930)	99 (45)	6600 (3000)	17 5/16 ~ 56 11/16 (440 ~ 1440)

W.L.L. : Work Load Limit

ABACO SPREADER BAR M4

Abaco Spreader Bar is combined with the forklift boom to move a large slab in a safe and quick manner. The Chain System is designed for safe and convenient operation. The bar comes with the adjustable spread for different load sizes.

*** The Scissor clamps and chains are not included**



ABACO SPREADER BAR M6

Abaco Spreader Bar M6 has a convenient and effective design where straps can easily be hooked onto the Bar at each designated slot for safely moving large slabs up to 9900 lbs (4500 kg).



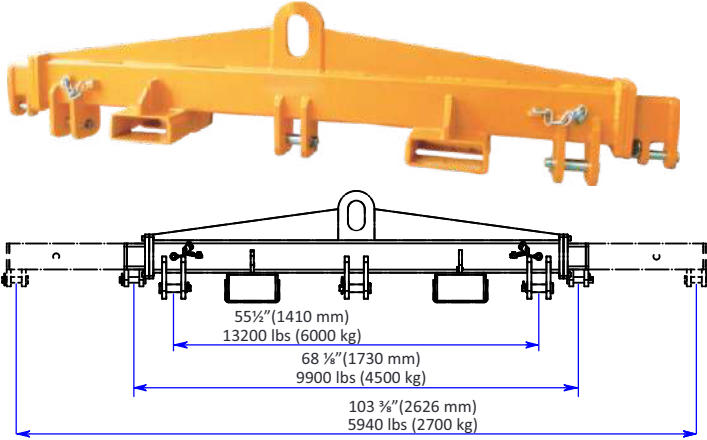
MODEL	Length In (mm)	Width In (mm)	Height In (mm)	Length Range In (mm)	Net Weight lbs (kg)	Work Load Limit lbs (kg)
ASB056M4	55 7/16 (1408)	3 3/8 (85)	13 1/4 (337)	30 1/16 ~ 49 3/8 (780 ~ 1260)	52.8 (24)	9900 (4500)
ASB106M6	106 3/8 (2708)	4 7/16 (112)	15 3/8 (390)	57 1/2 ~ 104 3/4 (1460 ~ 2660)	113.3 (51.5)	7700 ~ 9900 (3500 ~ 4500)



ABACO SPREADER BAR

ABACO SPREADER BAR M7

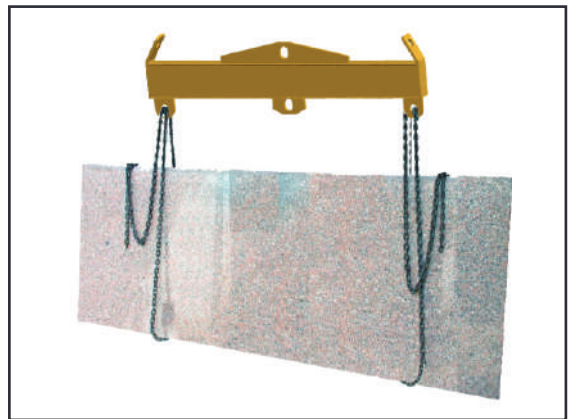
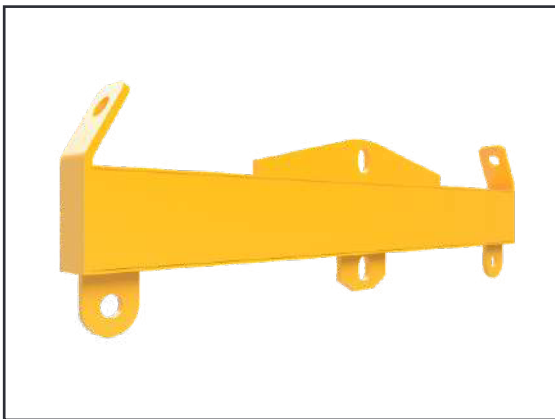
Abaco Spreader Bar M7 is an efficient support tool for maneuvering slabs. The sleeve structure enables to easily change into three different widths for large stone handling and retract neatly when not in use. Abaco Spreader Bar M7 is made of steel for great sturdiness and durability.



Model	Length In (mm)	Width In (mm)	Height In (mm)	Net weight lbs (kg)	Work Load Limit lbs (kg)
ASB106M7	106 5/16 (2700)	9 13/16 (250)	14 15/16 (379)	209 (95)	5940 ~ 13200 (2700 ~ 6000)

ABACO SPREADER BAR M9

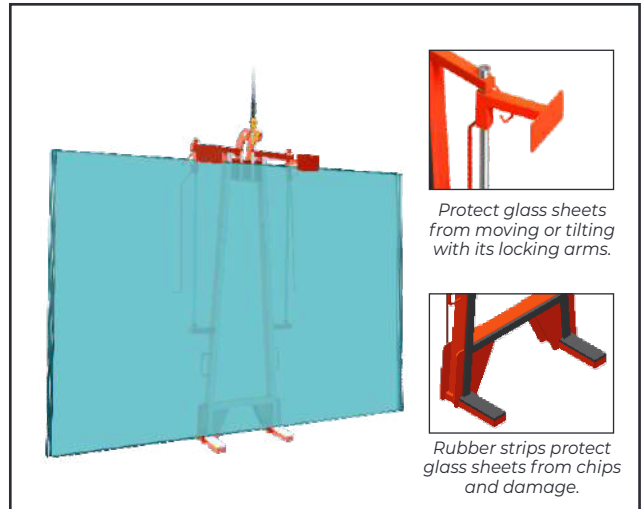
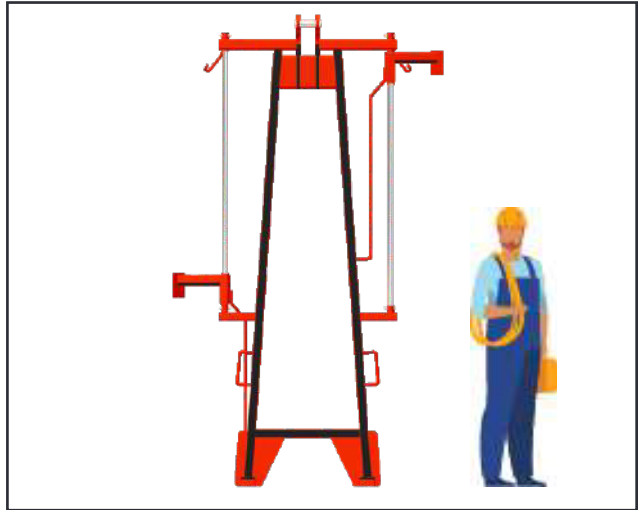
- Abaco Spreader Bar is an efficient support tool for maneuvering slabs.
- Abaco Spreader Bar is combined with the forklift truck to safety and quickly move large slabs, using chains to hold the load.



Model	Length In (mm)	Width In (mm)	Height In (mm)	Net weight lbs (kg)	Work Load Limit lbs (kg)
ASB84M9	84 1/4 (2140)	4 15/16 (125)	24 5/16 (618)	352 (160)	17600 (8000)

ABACO SUPER GLASS LOAD FRAME

- Designed to load large sheet of glass or glass bundles up to 8 1/16" (220 mm) thickness
- Connects to hoist or crane to move the load in factory, warehouse, etc.
- Increased load performance with strong locking arms
- Durable rubber strip providing material protection



Model	Length In (mm)	Width In (mm)	Height In (mm)	Net weight lbs (kg)	Work Load Limit lbs (kg)
ASGLF3000	66 7/8 (1680)	20 7/8 (530)	114 5/8 (2912)	343.2 (156)	6600 (3000)

ABACO TILT GLASS CUTTING TABLE

- This table is engineered to easily lay, cut, operate large-sized glass. Suits mass production lines.
- Made mainly of steel, uses SAE 20 (ISO no. 46) hydraulic oil; its operations are easy and cost effective. Tilts up to 78°, it's not noisy when tilting.

TGCT9878



MODEL	Length In (mm)	Width In (mm)	Height In (mm)	Net Weight lbs (kg)	Work Load Limit lbs (kg)
TGCT9878	98 7/16 (2500)	78 7/8 (2004)	35 13/16 (910)	554.4 (252)	1100 (500)

ABACO POWER KITCHEN PROCESSING TABLE

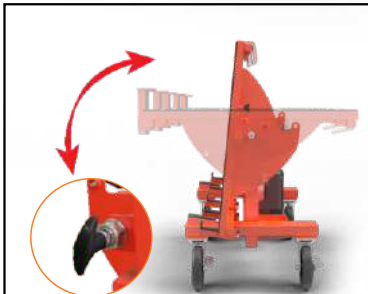
- Special equipment for easy storing and transporting the stone slabs.
- Making of high-quality steel frame with excellent bearing capacity.

PKPT6340



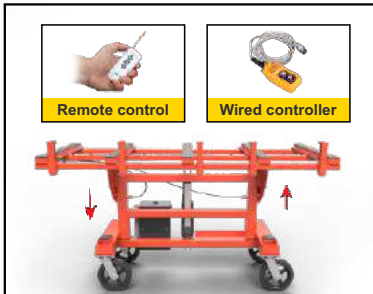
MORE SAFETY

Thanks to rubber pads, stop brackets and locking handles provide a perfect way to protect the slab surface during moving.



EASY TO USE

By simple action with a locking pin, the tabletop can tilt easily from being flat to various degrees.



CONVENIENT

Two optional controllers for easily lifting the material up and down.

Model	Length In (mm)	Width In (mm)	Height In (mm)	Net Weight lbs (kg)	Work Load Limit lbs (kg)
PKPT6340	62 1/16 (1600)	33 1/16 (840)	32 1/16 ~ 40 3/16 (830 ~ 1030)	253 (115)	660 (300)

ABACO WORKING TABLE

- Abaco Working Table is designed to support slabs for polishing, sharpening, cutting, and many other purposes. Built-in brackets suit users to create different work stations. The top is covered with rubber to protect slabs from being damaged. Working Table is easy to assemble and disassemble for transport.

AWT7523



AWT7523C: Swivel casters with brakes provide easy maneuvering



The design is convenient and efficient, can be assembled to suit the shape and size of the stone slab.

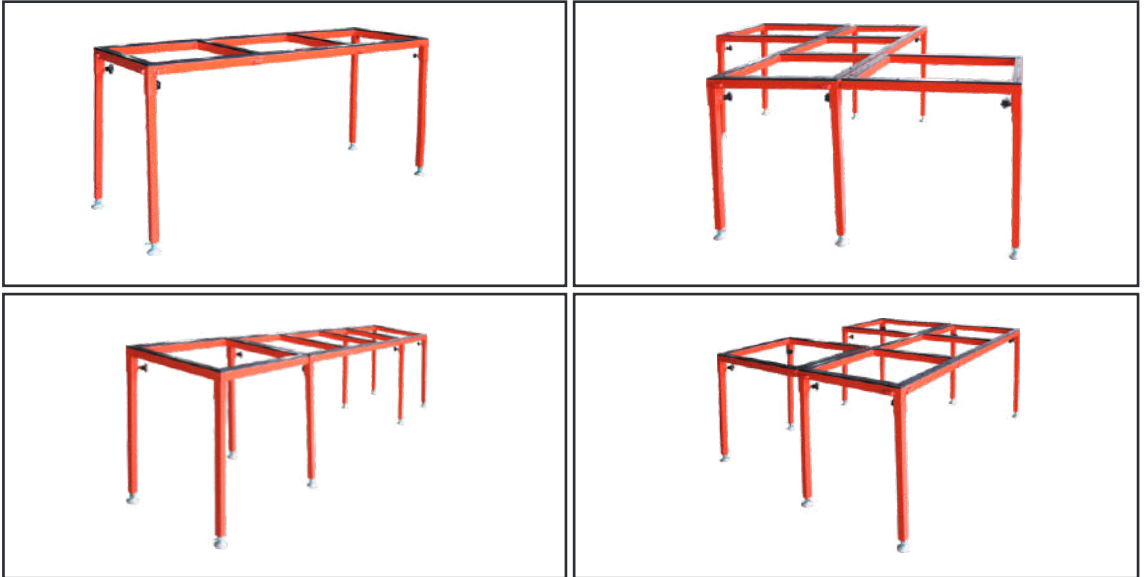
Model	Length In (mm)	Width In (mm)	Height - In (mm)	Net Weight lbs (kg)	Work Load Limit lbs (kg)
AWT7523	75 7/8 (1927)	23 15/16 (608)	37 15/16 ~ 40 9/16 (965 ~ 1030)	167.2 (76)	4840 (2200)
AWT7523C				184.8 (84)	

ABACO FLEXIBLE WORK TABLE

- Abaco Flexible Work Table is designed to support slabs for polishing, sharpening, cutting, and many other purposes.
- The top is covered with rubber to protect slabs from being damaged.
- Abaco Flexible Work Table is easy to assemble and disassemble for transport.

ABACO FLEXIBLE WORK TABLE

AFWT8328



ABACO FLEXIBLE WORK TABLE-4 WHEELS

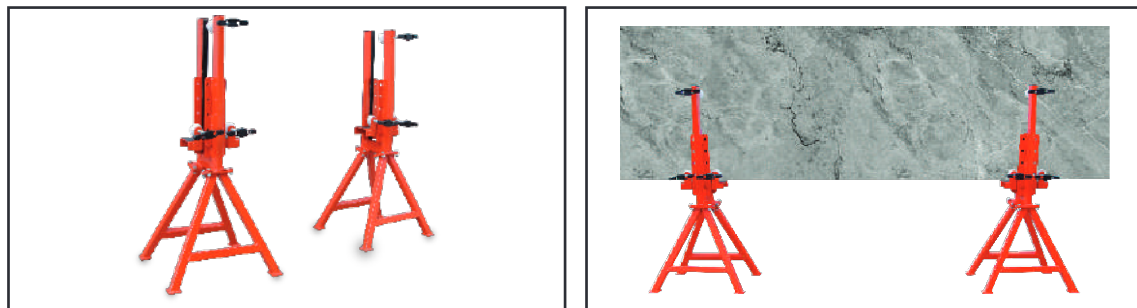
AFWT8328-4W



Model	Length In (mm)	Width In (mm)	Height In (mm)	Net Weight lbs (kg)	Work Load Limit lbs (kg)
AFWT8328	83 ⁷ / ₁₆ (2130)	28 ⁹ / ₁₆ (725)	37 ¹⁵ / ₁₆ ~ 40 ⁹ / ₁₆ (965 ~ 1030)	145.2 (66)	660 (300)
AFWT8328-4W	84 ¹⁵ / ₁₆ (2158)	30 ¹¹ / ₁₆ (780)	39 ¹ / ₁₆ (992)	112.2 (51)	880 (400)

ABACO EDGE POLISHING STAND-VERTICAL

AEPSV60 is ideal for upright slab polishing. Provided with two rubber lined support rails, adjustable in height. The upper support rails are used when polishing narrow width splash backs and skirting boards and are fully removable when working with wider pieces.



*Two rubber lined jaws locked by hand knobs. Quick and easy setup.
Holds marble and granite work piece securely. Powder coated paint finished.*

MODEL	Length In (mm)	Width In (mm)	Height In (mm)	Max Jaw Opening - In (mm)	Net Weight Per Pair lbs (kg)	Work Load Limit Per Pair - lbs (kg)
AEPSV60	17 3/16 (440)	15 1/4 (387)	36 3/16 (929)	2 3/8 (60)	49.5 (22.5)	1100 (500)

ABACO FABRICATION STAND

Abaco Fabrication Stand is designed to support slabs for polishing, sharpening, cutting, and many other purposes. Height is adjustable from 31 1/2" (800 mm) to 39 3/8" (1000 mm); for super long slabs it may be advisable to use more than 2 stands to sustain the weight in the middle. The top is covered with rubber to protect slabs from being damaged. It is folded easily for transporting from one place to another.

ABACO FABRICATION STAND



MODEL	Length In (mm)	Width In (mm)	Height In(mm)	Net Weight Per Pair - lbs (kg)	Work Load Limit lbs(kg)
AFS3139	26 1/16 (662)	18 3/16 (462)	31 1/2 ~ 39 3/8 (800 ~ 1000)	61.6 (28)	1430 (650) Per Piece 2860 (1300) Per Set
EAFS3139	26 1/16 (662)	18 3/16 (462)	31 1/2 ~ 39 3/8 (800 ~ 1000)	41.8 (19)	660 (300) Per Piece 1320 (600) Per Set

EASY ADJUSTABLE FABRICATION STAND/SENI

- The Abaco Easy Adjustable Fabrication Stand and new Seni version are designed to support slabs for cutting, polishing, sharpening and/or many other purposes.
- The top stand bar is covered by rubber lining to prevent slab surfaces from scratching and chipping.
- The design is versatile and compact so that it can be easily stored or transported.



MODEL	Length In (mm)	Width In (mm)	Height In (mm)	Net Weight Per Pair - lbs (kg)	Work Load Limit lbs (kg)
AEAFS3143	25 15/16 (660)	23 15/16 (609)	32 1/4 ~ 43 5/16 (819 ~ 1107)	57.2 (26)	1430 (650) Per Piece 2860 (1300) Per Set
AEAFS3143S	26 1/16 (662)	23 13/16 (605)	32 3/16 ~ 43 5/16 (818 ~ 1106)	40.7 (18.5)	660 (300) Per Piece 1320 (600) Per Set

ABACO QLI FOLDABLE TABLE

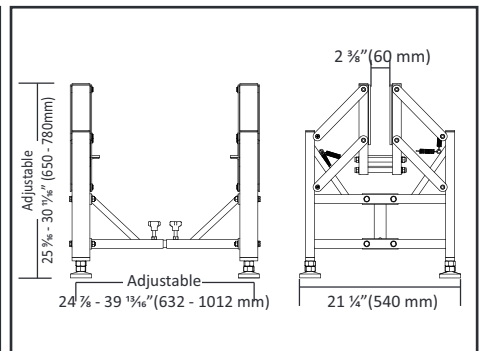
- Abaco Qli Foldable Table is used for supporting the slabs during machining, cutting, grinding, polishing, or drilling. The height is adjustable from 32 13/16" (833 mm) to 44 1/8" (1121 mm). Articulated connecting links make it possible to adjust the table width exactly to fit to the variations of your slabs.



Model	Length In (mm)	Width In (mm)	Height In (mm)	Net Weight lbs (kg)	Work Load Limit lbs (kg)
AQFT7923	12 15/16 ~ 78 3/4 (330 ~ 2000)	25 9/16 (650)	32 13/16 ~ 44 1/8 (833 ~ 1121)	92.4 (42)	3080 (1400)

ABACO EDGE POLISHING STAND - AUTO LOCK

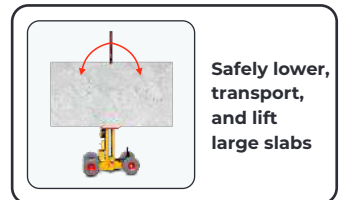
EPS60AL is designed for upright slab polishing. Made to help polishers work easier, comfortably with a better view of the operations in less time but qualified results. Has double jaw auto clamping. Rubber coated clamps provide strong grip to secure work also with large slabs.



MODEL	Length In (mm)	Width In (mm)	Height In (mm)	Max Jaw Opening In (mm)	Net Weight lbs (kg)	Work Load Limit lbs (kg)
EPS60AL	24 7/8 ~ 39 1/4 (632 ~ 1012)	21 1/4 (540)	25 9/16 ~ 30 11/16 (650 ~ 780)	2 3/8 (60)	66 (30)	1650 (750)

ABACO EZ-PRO WINCH CART

- AEWC450-M2 is an effective tool for material slabs handling in any working place.
- Vertical moving mechanism features an electric winch. The cart has a remote control for enhanced safety.
- All contact surfaces are rubber coated to secure stability and avoid slabs damage.
- Can raise slabs weighing up to 450 kg up to 40 3/16" (1020 mm).



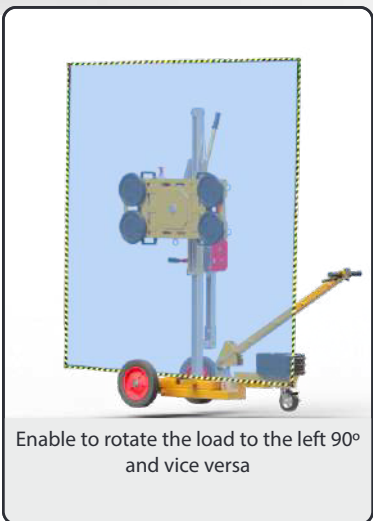
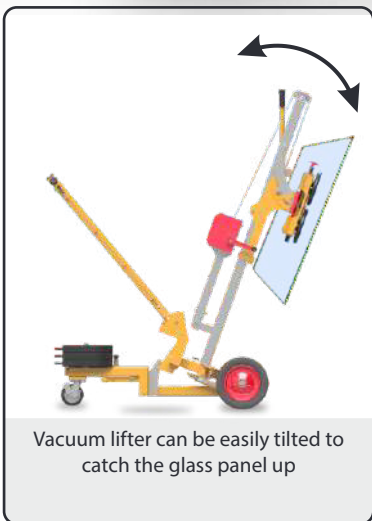
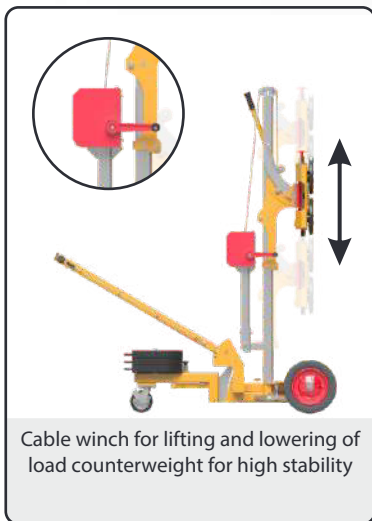
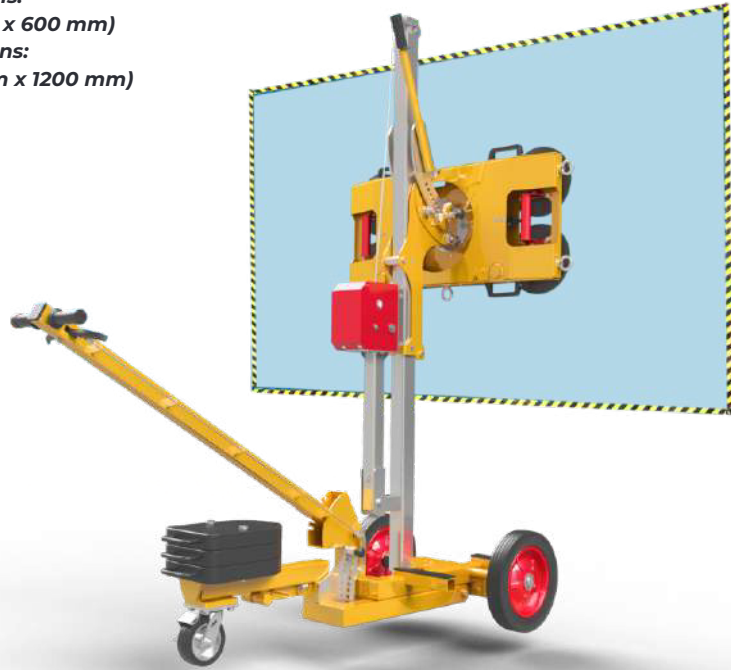
MODEL	Length In (mm)	Width In (mm)	Height In (mm)	Net Weight lbs (kg)	Work Load Limit lbs (kg)
AEWC450-M2	34 3/8 (880)	17 1/16 (432)	67 1/16 - 101 3/16 (1704 - 2574)	110 (50)	990 (450)

Battery Powered	Maximum Lifting Height - In (mm)	Maximum Stone Width - In (mm)	Maximum Stone Thickness - In (mm)
2x18VDC / 4Ah	40 3/16 (1020)	55 1/8 (1400)	2 3/4 (70)

ABACO MANUAL VACUUM GRIP LIFTER

Designed for mounting and handling materials such as glass sheet, window or thin stone slabs easily and safely.

Minimum slab dimensions:
43 5/16" x 23 5/8" (1100 mm x 600 mm)
Maximum slab dimensions:
42 1/16" x 47 1/4" (2400 mm x 1200 mm)



MODEL	Length In (mm)	Width In (mm)	Height In (mm)	Net Weight lbs (kg)	Work Load limit lbs (kg)
MVGL150	68 5/16 (1742)	37 5/8 (955)	78 7/16 (1993)	418 (190)	330 (150)

ABACO SLAB DOLLY

Designed for smooth transport over uneven surfaces, small slab dolly moves easily in a narrow working place. The 8" dolly has solid rubber tires and the 11" dolly has pneumatic tires. Rubber vulcanized channel protects slabs from chipping and scratching.

ABACO 8" SLAB DOLLY



SD008 - Solid Rubber Tires 8"

ABACO 11" SLAB DOLLY



SD011 - Pneumatic Tires 11"

MODEL	Length In (mm)	Width In (mm)	Height In (mm)	Channel Width In (mm)	Net Weight lbs (kg)	Work Load Limit lbs (kg)
SD008	20 1/16 (510)	9 13/16 (250)	8 1/16 (205)	3 1/8 (80)	19.8 (9)	660 (300)
SD011	20 1/16 (510)	12 1/8 (308)	10 5/8 (270)	3 1/8 (80)	19.8 (9)	660 (300)

ABACO 3 WHEEL SLAB DOLLY

Designed to facilitate slab handling and transporting in work places. Rubber vulcanized base with sides protect slabs from chipping and scratching. The dolly comes with pneumatic tires and a swivel caster with heavy duty locking brake to provide additional stability and maneuverability in confined spaces.

ABACO 3 WHEEL SLAB DOLLY



SD013 - Pneumatic Tires 13"

ABACO 3 WHEEL GIANT DOLLY



GD013 - Pneumatic Tires 13"



MODEL	Length In (mm)	Width In (mm)	Height In (mm)	Channel Width In (mm)	Net Weight lbs (kg)	Work Load Limit lbs (kg)
SD013	27 15/16 (710)	13 3/8 (340)	13 3/16 (335)	3 1/8 (80)	37.4 (17)	1430 (650)
GD013	27 15/16 (710)	14 15/16 (380)	13 3/16 (335)	4 3/4 (120)	35.2 (16)	1430 (650)

ABACO 4 WHEEL SLAB DOLLY

Dolly is equipped with 2 solid rubber tires, 2 swivel casters, and a U shaped base whose surfaces are vulcanized rubber coated to avoid contact damage.

ABACO 4 WHEEL GIANT DOLLY

ABACO 4 WHEEL SLAB DOLLY



GDS003 - Solid Rubber Tires 8"



SDS003 - Solid Rubber Tires 8"



MODEL	Length In (mm)	Width In (mm)	Height In (mm)	Channel Width In (mm)	Net Weight lbs (kg)	Work Load Limit lbs (kg)
GDS003	19 11/16 (500)	13 7/16 (342)	8 1/16 (205)	6 11/16 (170)	30.8 (14)	880 (400)
SDS003	20 1/16 (510)	9 13/16 (250)	8 1/16 (205)	3 1/8 (80)	26.4 (12)	880 (400)

ABACO SELF-LOCKING TROLLEY

These self-Locking trolleys are for heavy duty use. Loading base and sides have vulcanized rubber to avoid chipping your work pieces. Self locking grip is proportional: the heavier the slab, the stronger the clamping force to safely move slabs in any working place.



SLT13M2

*Pneumatic Tires and
a Third Wheel.*



SLT13M3

*Pneumatic Tires and
a Kick Stand.*

MODEL	Length In (mm)	Width In (mm)	Height In (mm)	Grip Range In (mm)	Net Weight lbs (kg)	Work Load Limit lbs (kg)
SLT13M2	26 3/8 (670)	22 3/16 (563)	19 5/16 (490)	3/8 ~ 3 15/16 (10 ~ 100)	70.4 (32)	1100 (500)
SLT13M3	20 15/16 (533)	22 3/16 (563)	19 5/16 (490)	3/8 ~ 3 15/16 (10 ~ 100)	61.6 (28)	1100 (500)

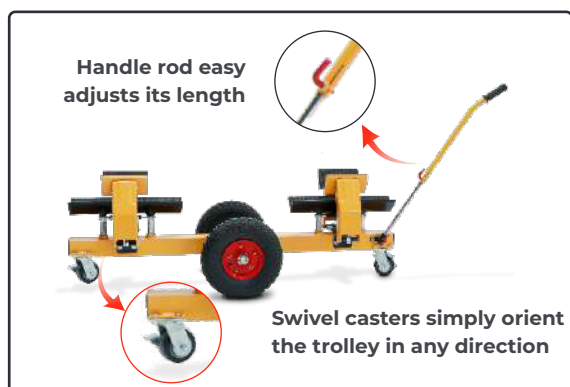
ABACO SELF-LOCKING TROLLEY

Excellent trolley for small and large slab transportation. Features V-shape clamping plates naturally balancing slabs when moved. Contact surfaces are rubber coated to avoid any chipping. Moves nimbly even over rough and uneven paths.

SLT13M6



Easily take the handle rod out of the trolley.



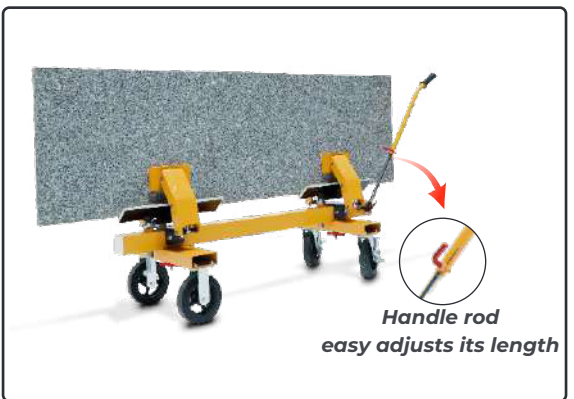
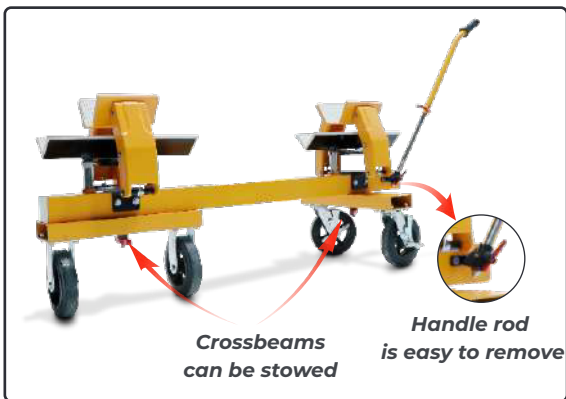
2 pneumatic wheels and casters with brakes provide a seesaw effect allowing the trolley to easy move uphill or through obstacles

Model	Length In (mm)	Width In (mm)	Height In (mm)	Grip Range In (mm)	Net Weight lbs (kg)	Work Load Limit lbs (kg)
SLT13M6	59 ³ / ₁₆ (1504)	20 ⁵ / ₁₆ (516)	20 ⁵ / ₁₆ (516)	³ / ₈ ~ 3 ¹⁵ / ₁₆ (10 ~ 100)	112.2 (51)	1100 (500)

ABACO SELF-LOCKING TROLLEY

Excellent trolley for small and large slab transportation. Features V-shape clamping plates naturally balancing slabs when moved. Contact surfaces are rubber coated to avoid any chipping.

SLT13M7



Model	Length In (mm)	Width In (mm)	Height In (mm)	Grip Range In (mm)	Net Weight lbs (kg)	Work Load Limit lbs (kg)
SLT13M7	60 ¼ (1531)	19 15/16 (506)	25 5/8 (651)	3/8 ~ 3 15/16 (10 ~ 100)	121 (55)	1540 (700)

ABACO SAFETY SLAB DOLLY

This dolly allows safe in-outdoor transportation thanks to its lever extending slab side support. Lever is removable to save space if needed. Pneumatic tires withstand vibrations and prevent damages.



MODEL	SSD35
Length - In (mm)	35 ⁷ / ₁₆ (900)
Width - In (mm)	20 ¹ / ₂ (520)
Height - In (mm)	64 ¹⁵ / ₁₆ (1650)
Slab Thickness In (mm)	3 ¹⁵ / ₁₆ (100)
Net Weight - lbs (kg)	77 (35)
Work Load Limit - lbs (kg)	1430 (650)

SSD35 - Pneumatic Tires 13"

ABACO SELF-LOCKING DOLLY

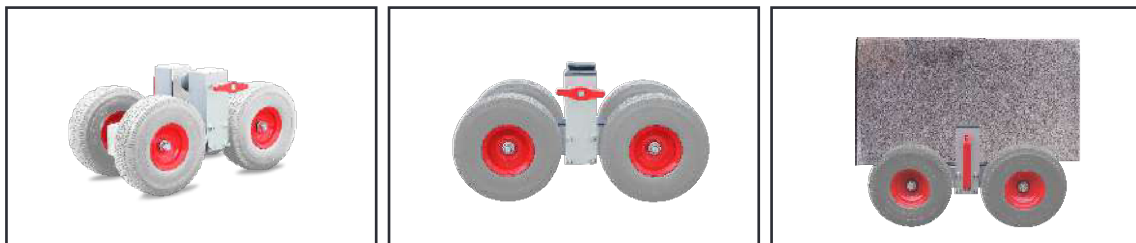
- Pneumatic tires withstands vibrations, prevent damages, provide easy transportation.
- Built-in self-gripping; compact design; rubber coated contact surfaces for safe in-outdoor operations.

		Model	SLT60
		Length - In (mm)	12 ⁵ / ₈ (320)
		Width - In (mm)	11 ¹ / ₂ (293)
		Height - In (mm)	12 ³ / ₈ (314)
		Grip Range - In (mm)	0 ~ 2 ³ / ₈ (0 ~ 60)
		Net Weight - lbs (kg)	19.8 (9)
		Work Load Limit - lbs (kg)	550 (250)

ABACO TUG DOLLY

- These dollies with their compact structure fit well works in narrow spaces or rough surfaces.
- Made of aluminum are lightweight but carry up to 990 pounds (450kg) slabs.
- 4 large solid wheels give a sturdy support and make it easy to handle slabs .
- Tires gray rubber compound minimizes marks on light colored floors.

ABACO TUG DOLLY - ATD19



ABACO TUG DOLLY - ATD25



ABACO TUG DOLLY - ATD60



Model	Length In (mm)	Width In (mm)	Height In (mm)	Grip Range In (mm)	Net Weight lbs (kg)	Work Load Limit lbs (kg)
ATD19	24 (610)	12 7/8 (327)	12 1/16 (307)	0 ~ 2 7/8 (0 ~ 73)	34.1 (15.5)	990 (450)
ATD25	27 15/16 (710)	15 1/16 (382)	12 1/16 (307)	0 ~ 5 1/8 (0 ~ 130)	35.2 (16)	990 (450)
ATD60	60 (1524)	21 1/2 (546)	23 3/8 (588)	0 ~ 2 3/4 (0 ~ 70)	72.6 (33)	990 (450)

ABACO ELEVATING HAND CART

- This cart is designed to minimize labor force when moving slabs.
- Features 2 solid rubber tires and 2 swivel casters whose span slightly exceed the cart frame size to enhance moving stability.
- Handles slabs up to 55 1/8" (1400 mm) in width, up to 2 3/4" (70 mm) in thickness.



EHC3541

Seat Length: 35 7/16" (900 mm)
 Seat Width: 4 1/8" (104 mm)
 Maximum Lifting Height: 37 3/8" (950 mm)
 Maximum Stone Width: 55 1/8" (1400 mm)
 Maximum Stone Thickness: 2 3/4" (70 mm)

MODEL	EHC3541
Length - In (mm)	38 1/16 (977)
Width - In (mm)	25 13/16 (656)
Height - In (mm)	70 1/8 ~ 98 7/16 (1800 ~ 2500)
Net Weight - lbs (kg)	189.2 (86)
Work Load Limit - lbs (kg)	1100 (500)

ABACO V-CART

Abaco V-Cart is a utility cart designed for storing and transporting slabs/glass sheets easily. Its compact structure is designed with 4 heavy duty polyurethane swivel casters for easy maneuvering in narrow areas. Abaco V-Cart enables positioning of glass sheets in any direction for any purpose. The rubber-lined poles can be repositioned in the rubber-lined base to meet the customer's needs. The rubber lining will protect the material from scratching and chipping. Its durable construction adds stability when handling heavier loads.



MODEL	Length In (mm)	Width In (mm)	Height In (mm)	Net Weight lbs (kg)	Work Load Limit lbs (kg)
AVC3747	37 3/8 (950)	36 1/4 (920)	47 13/16 (1214)	154 (70)	2200 (1000)

ABACO SLAB RACK DOLLY

- ASRD39 was purposely designed for slab transportation.
- Has 6 bars to be inserted in the base with different possible layouts to suit slabs of any size.
- Loading base has large rubber strips to avoid damage.
- A removable handle bar helps for traction and direction.
- All bars are removable for cart easy storage or shipping.



Model	Length In (mm)	Width In (mm)	Height In (mm)	Net Weight lbs (kg)	Work Load Limit lbs (kg)
ASRD39	43 ⁵ / ₁₆ (1100)	25 ¹³ / ₁₆ (655)	48 ¹¹ / ₁₆ (1237)	112.2 (51)	2200 (1000)

ABACO FOLDING TROLLEY FRAME

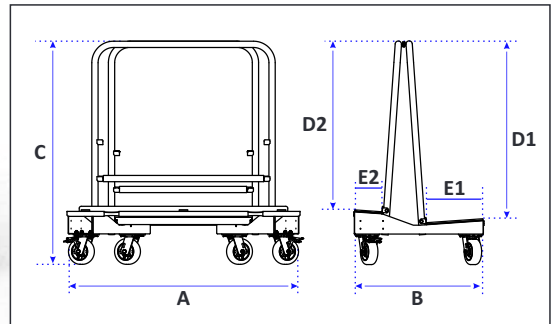
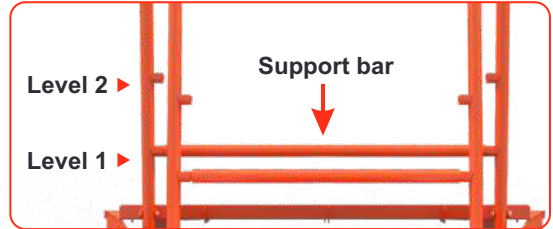
- Abaco Folding Trolley Frame is designed for maximum stability yet compact enough to fit through any door. Both the A-frame and the base are fully rubber-lined to protect the finished pieces from chipping and slipping.
- Swivel casters with brakes make it easy maneuvering in many direction.



MODEL	Length In (mm)	Width In (mm)	Height In (mm)	Net Weight lbs (kg)	Work Load Limit lbs (kg)
AFTF4332	43 ⁵ / ₁₆ (1100)	23 ⁵ / ₈ (600)	40 ¹ / ₁₆ (1016)	85.8 (39)	880 (400)

ABACO NESTING DUAL DRYWALL CART 049

- Designed for easy maneuvering and storing of stone slabs in a confined space such as warehouse, workshop and other work sites.
- Rubber lining protects the slabs from sliding and chipping.



FLEXIBLE FOR VARIOUS SLAB SIZES

Support bars with two adjustable height levels help to store various slab sizes.

Swivel casters

CONVENIENT AND SPACE SAVING

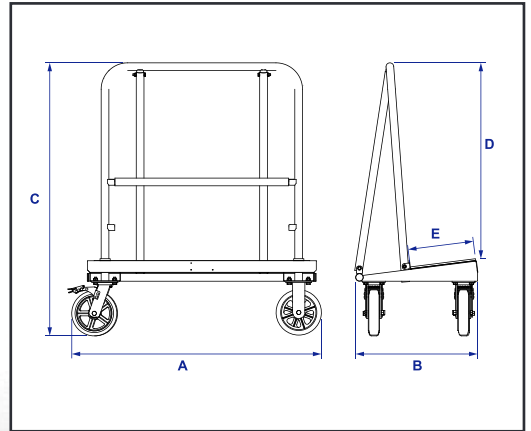
Unique design that help the carts can be nested easily into a row together to keep your workspace always tidy and space-saving when not in use.

Model	Length (A) In (mm)	Width (B) In (mm)	Height (C) In (mm)	(D1) In (mm)	(E1) In (mm)	(D2) In (mm)	(E2) In (mm)
ANDWC049	49 ¾ (1263)	27 1/16 (703)	47 7/8 (1210)	38 7/8 (988)	12 3/8 (315)	36 1/16 (928)	6 1/8 (155)

Minimum slab size In (mm)	Maximum slab size In (mm)	Net Weight lbs (kg)	Work Load Limit lbs (kg)
7 7/8 x 7 7/8 x 1/4 (200 x 200 x 6)	47 1/4 x 94 1/2 x 1 3/16 (1200 x 2400 x 30)	83.6 (38)	2200 (1000)

ABACO QLI DRYWALL CART 039

- AQDC039-CS compact in size to help maneuvering in confined work places; needs little storage room.
- Two casters have brake to keep the cart motionless when needed.
- Rubber strips avoid sliding and contact damage.



Model	Length (A) In (mm)	Width (B) In (mm)	Height (C) In (mm)	(D) In (mm)	(E) In (mm)	Net Weight lbs (kg)	W.L.L. lbs (kg)
AQDC039-CS	39 ¾ (1010)	21 ¼ (540)	47 ½ (1206)	36 ⅙ (915)	11 ⅞ (293)	74.8 (34)	2200 (1000)

W.L.L. : Work Load Limit

ABACO SMART SLAB BUGGY

- Ideal compact buggy to move slabs also in confined places; it needs little storage room.
- Has 2 large wheels to easily move on uneven surfaces and 2 casters with brakes ensuring both an easy steering direction or motionless when needed.
- For additional safety has a bar fixed on one side in the middle of the frame to keep slabs steady and plenty of rubber strips to avoid contact damage.

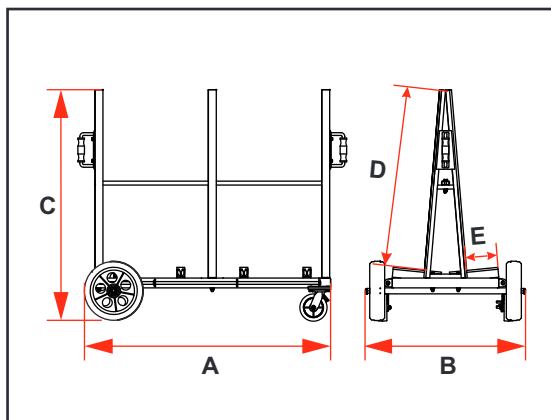


Model	Length In (mm)	Width In (mm)	Height In (mm)	Net Weight lbs (kg)	Work Load Limit lbs (kg)
ASSBG4736P	46 ⁵ / ₈ (1184)	24 ¹³ / ₁₆ (630)	45 ¹ / ₁₆ (1160)	83.6 (38)	1155 (525)
ASSBG4736S	45 ¹ / ₁₆ (1160)	23 ¹⁵ / ₁₆ (609)	45 ¹ / ₂ (1155)	92.4 (42)	1155 (525)

P= Pneumatic Back Tires / S = Solid Back Tires

ABACO DOUBLE SIDED SLAB BUGGY

- These buggies have big mass for max stability but a compact design.
- Have 2 large wheels to easily move on uneven surfaces (especially P models) and 2 casters with brakes ensuring either a good steering direction or motionless when needed.

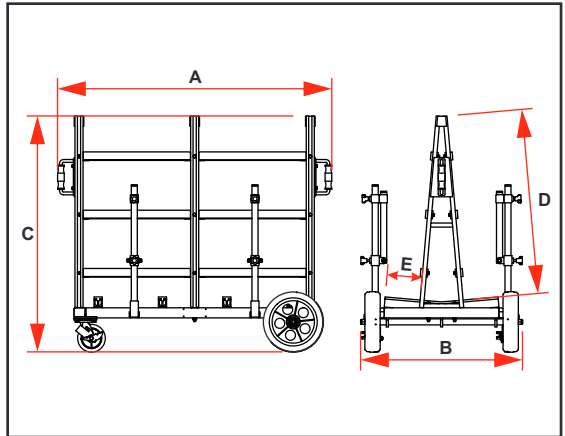


MODEL	Length (A) In (mm)	Width (B) In (mm)	Height (C) In (mm)	(D) In (mm)	(E) In (mm)	Net Weight lbs (kg)	Work Load Limit lbs (kg)
DSBG1320P	53 11/16 (1363)	32 5/16 (820)	47 1/16 (1195)	36 1/8 (917)	6 1/4 (159)	143 (65)	880 (400) Per Side 1760 (800) Total
DSBG1320S	53 11/16 (1363)	31 15/16 (812)	45 15/16 (1167)	36 1/8 (917)	6 1/4 (159)	169.4 (77)	1320 (600) Per Side 2640 (1200) Total
EDSBG1320P	42 3/8 (1076)	29 15/16 (760)	45 15/16 (1168)	36 3/16 (919)	6 5/16 (160)	101.2 (46)	660 (300) Per Side 1320 (600) Total
EDSBG1320S	42 3/8 (1076)	29 1/8 (740)	46 1/4 (1175)	36 3/16 (919)	6 5/16 (160)	107.8 (49)	880 (400) Per Side 1760 (800) Total

* Solid Rubber Tire (s) * Pneumatic tires (P)

ABACO DOUBLE SIDED SLAB BUGGY

- These buggies have big mass for max stability but a compact design.
- Have 2 large wheels to easily move on uneven surfaces (especially P models) and 2 casters with brakes ensuring either a good steering direction or motionless when needed.
- For additional safety models 2640 have four bar fixed on both sides in the middle of the frame to keep slabs steady and plenty of rubber strips to avoid any contact damage.



MODEL	Length (A) In (mm)	Width (B) In (mm)	Height (C) In (mm)	(D) In (mm)	(E) In (mm)	Net Weight lbs (kg)	Work Load Limit lbs (kg)
DSBG2640P	53 1/16 (1363)	30 13/16 (782)	45 13/16 (1164)	36 1/16 (916)	6 1/2 (165)	198 (90)	1320 (600) Per Side 2640 (1200) Total
DSBG2640S	53 1/16 (1363)	31 3/4 (806)	46 1/8 (1172)	36 1/16 (916)	6 1/2 (165)	222.2 (101)	1320 (600) Per Side 2640 (1200) Total

* Solid Rubber Tire (s) * Pneumatic tires (P)

ABACO SLAB BUGGY

- These buggies have big mass for max stability but a compact design to further enhance general stability casters slightly offset the buggy base frame.
- Have 2 large wheels to easily move on uneven surfaces (easier if pneumatic) and 2 casters with brakes ensuring either a good steering direction or motionless when needed.
- For additional safety model 2640 have two bar fixed on one sides in the middle of the frame to keep slabs steady and plenty of rubber strips to avoid contact damage and (SBG800P/S) two ratchet straps for steadiness.

SBG800



SBG2640



MODEL	Length (A) In (mm)	Width (B) In (mm)	Height (C) In (mm)	(D) In (mm)	(E) In (mm)	Net Weight lbs (kg)	Work Load Limit lbs (kg)
SBG800S	48 13/16 (1240)	26 11/16 (678)	46 1/8 (1171)	36 5/8 (930)	7 1/4 (184)	132 (60)	2200 (1000)
SBG800P	48 13/16 (1240)	26 11/16 (678)	47 3/16 (1199)	36 5/8 (930)	7 1/4 (184)	107.8 (49)	1100 (500)
SBG2640S	47 7/8 (1210)	28 13/16 (732)	46 19/16 (1192)	36 3/4 (934)	7 3/16 (183)	151.8 (69)	2640 (1200)
SBG2640P	50 (1270)	25 1/8 (638)	46 7/8 (1190)	36 3/4 (934)	7 3/16 (183)	132 (60)	2640 (1200)

* Solid Rubber Tire (s) * Pneumatic tires (P)

ABACO QLI SLAB BUGGY

- These buggies are light and functional, they can get through any standard door, to enhance general stability casters slightly offset the buggy base frame. Have 2 large wheels to easily move on uneven surfaces and 2 casters with brakes ensuring either a good steering direction or motionless when needed. For additional safety they feature plenty of rubber strips to avoid contact damage and prevent slabs from slipping.

ABACO QLI SLAB BUGGY

AQSBG1320



ABACO QLI DOUBLE SIDED SLAB BUGGY

AQDSBG1320



MODEL	Length In (mm)	Width In (mm)	Height In (mm)	Net Weight lbs (kg)	Work Load Limit lbs (kg)
AQSBG1320	49 ⁵ / ₈ (1260)	24 ¹ / ₈ (612)	44 ³ / ₄ (1137)	79.2 (36)	1320 (600)
AQDSBG1320	52 ⁵ / ₁₆ (1328)	31 ⁵ / ₁₆ (796)	44 ¹⁵ / ₁₆ (1141)	121 (55)	1320 (600)

ABACO UNIVERSAL SLAB BUGGY

These buggies are small in size to pass through standard size doors but strong enough to easily and safely move slab up to 5500 lbs (2500 kg). They feature 4 high quality polyurethane casters with brake which give great stability and maneuverability and one of a kind special designed securing arm. USB6WM and USB6WL are purposely designed to meet the stone/glass industry highest quality demand.

USB6WM



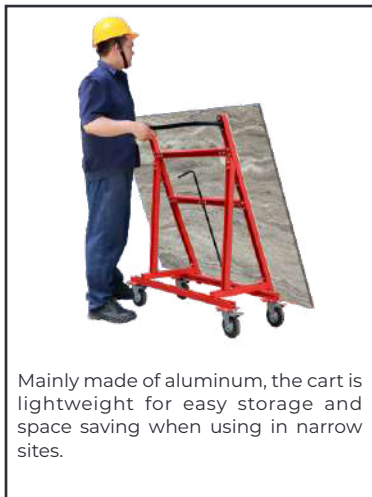
USB6WL



MODEL	Length (A) In (mm)	Width (B) In (mm)	Height (C) In (mm)	(D) In (mm)	(E) In (mm)	Net Weight lbs (kg)	Work Load Limit lbs (kg)
USB6WM	59 1/16 (1500)	29 1/8 (740)	58 11/16 (1490)	48 11/16 (1236)	8 1/8 (207)	231 (105)	5500 (2500)
USB6WL	70 7/8 (1800)	29 1/8 (740)	67 11/16 (1720)	58 9/16 (1487)	7 7/8 (200)	270.6 (123)	5500 (2500)

ABACO PORCELAIN SLAB CART

APSC150 is a light cart for delicate material transportation in every work environment. It's mainly made of aluminum. Have 4 swivel wheels with brakes. Has plenty of rubber strips to avoid contact damage. Components and parts are detachable to save storage room and easy transportation.



Mainly made of aluminum, the cart is lightweight for easy storage and space saving when using in narrow sites.



The cart includes kickstand kit attached to solid frame for sturdiness and anti-collapse while not moving, enhances safety for users.

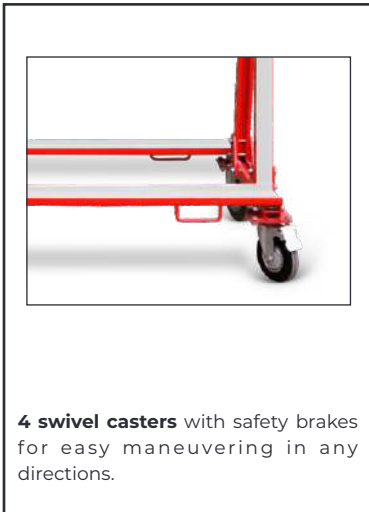


Apply the brakes on 4 casters for stationary positioning

MODEL	Length In (mm)	Width In (mm)	Height In (mm)	Net Weight lbs (kg)	Work Load Limit lbs (kg)
APSC150	39 3/8 (1000)	26 5/8 (676)	47 5/8 (1209)	52.8 (24)	330 (150)

ABACO FLEXIBLE TRANSPORT CART

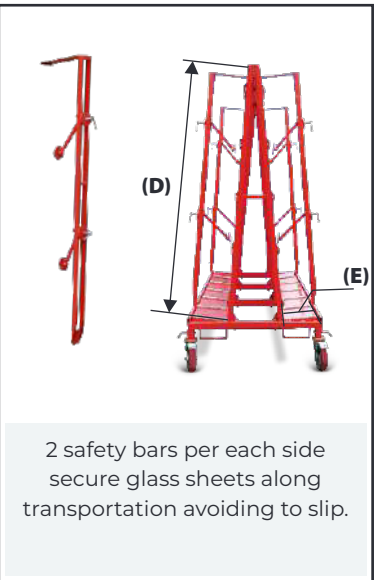
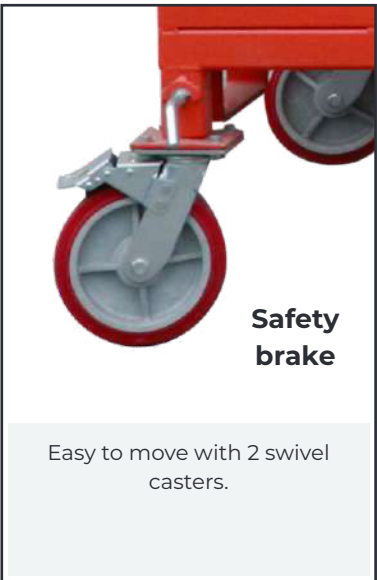
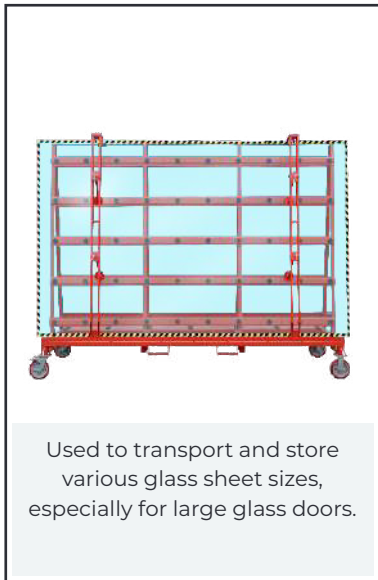
- AFTC5947 is an efficient transport equipment to use in every working environment.
- Components and parts are detachable to save storage room and easy transportation.



MODEL	Length In (mm)	Width In (mm)	Height In (mm)	Net Weight lbs (kg)	Work Load Limit lbs (kg)
AFTC5947	62 ½ (1588)	23 ¾ (600)	54 ⅝ (1380)	79.2 (36)	352 (160)

ABACO OVERSIZED GLASS TRANSPORT CART

Abaco oversized glass transport cart (AOGTC11879) is used to transport and store various glass sheet sizes, especially for the packed large glass doors in warehouse, workshop or construction site



MODEL	Length In (mm)	Width In (mm)	Height In (mm)	(D) In (mm)	(E) In (mm)	Net Weight lbs (kg)	Work Load limit - lbs (kg)
AOGTC11879	119 1/16 (3024)	43 1/16 (1110)	95 3/8 (2422)	79 1/16 (2008)	10 9/16 (268)	649 (295)	3300 (1500)

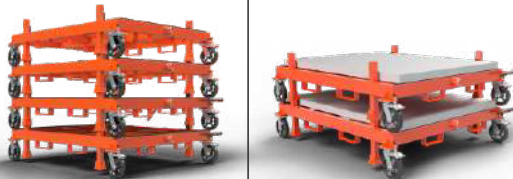
ABACO FLAT STACKING CART

- Ideal cart for storing and transporting thin material such as porcelain slabs at a job site or in a warehouse.
- With smart design that helps to optimize your working space.

AFSC060

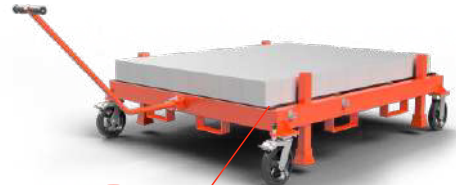


Stackable for optimizing space when not in use or loading slabs



CONVENIENT AND SPACE SAVING

The carts can easily be stacked on top. Thus, it helps make your workplace tidier when storing or loading slabs.



HIGH PROTECTION

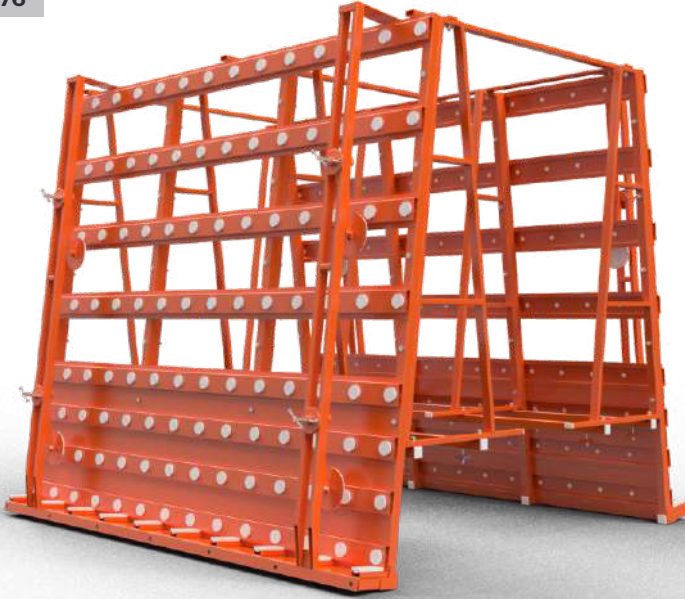
Rubber strips covered on the frame surface protect the slabs or sheets from cracking or chipping off during moving.

Model	Length In (mm)	Width In (mm)	Height In (mm)	Net Weight lbs (kg)	Work Load Limit lbs (kg)
AFSC060	104 7/16 (2653)	59 1/16 (1500)	33 1/8 (841)	187 (85)	2200 (1000)

ABACO DROPSIDE TRUCK A-FRAME

Designed to combine with the truck in maneuvering the glass slabs and large packed glass door.

ADST9076



Crossbar

CONVENIENT

ADST9076 consists of the A-frame and the Main frame which are connected together by the crossbar. It's easy to assemble with various types of trucks.

Vertical bar

SAFETY

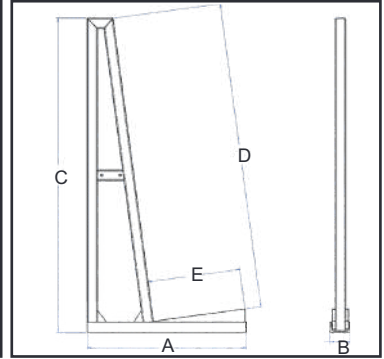
Rubber strips on the A-Frame surface keep the slabs from cracking or chipping off. The vertical bars ensure more security when moving the material.

MODEL	Length In (mm)	Width In (mm)	Height In (mm)	Net Weight lbs (kg)	Work Load limit lbs (kg)
ADST9076	90 1 ⁵ / ₁₆ (2310)	37 1 ³ / ₁₆ (960)	79 3 ⁴ / ₄ (2026)	781 (355)	1540 (700)

ABACO SINGLE SIDED A-FRAME

- Single Sided A-Frames, sold in pairs, were designed for safe slab storage. The base has timber block as protection. Made of steel so strong and stable. A pair of these frame can keep in place slabs in bundle up to 16500 lbs (7500 kg).

SSAF060



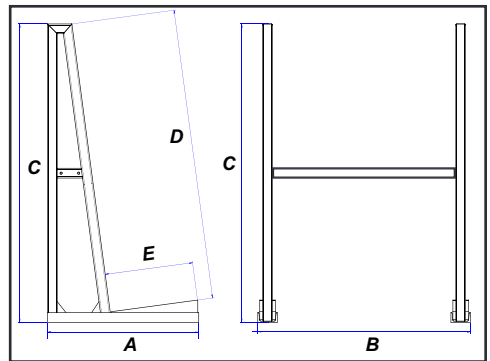
Model	Length (A) In (mm)	Width (B) In (mm)	Height (C) In (mm)	(D) In (mm)	(E) In (mm)	Net Weight Per Pair - lbs (kg)	W.L.L. Per Pair lbs (kg)
SSAF060	30 ½ (775)	3 ⅞ (100)	60 (1524)	58 ⅞ (1484)	17 ¾ (451)	88 (40)	16500 (7500)

W.L.L.: Work Load Limit

ABACO SINGLE SIDED TRUCK A-FRAME

- Single Sided Truck A-Frame was designed for safe slab storage. The base has timber block as protection. Made of steel so strong and stable. It can keep in place slabs in bundle up to 16500lbs (7500kg). If used inside a truck can be placed parallel to its wall to optimize its loading capacity.

SSTAF060



Model	Length (A) In (mm)	Width (B) In (mm)	Height (C) In (mm)	(D) In (mm)	(E) In (mm)	Net Weight Per Pair - lbs (kg)	W.L.L. Per Pair lbs (kg)
SSTAF060	30 ½ (775)	65 ⅞ (1662)	59 ⅞ (1502)	57 ⅞ (1464)	17 ⅞ (453)	103.4 (47)	16500 (7500)

W.L.L.: Work Load Limit

ABACO STANDARD A-FRAME

Standard A-Frames, sold in pairs, were designed for safe slab storage. A solid structure and max stability: an ideal choice if compared to other A-frames usually available in the market.

SAF060 - ESAF060

SOLD IN PAIRS



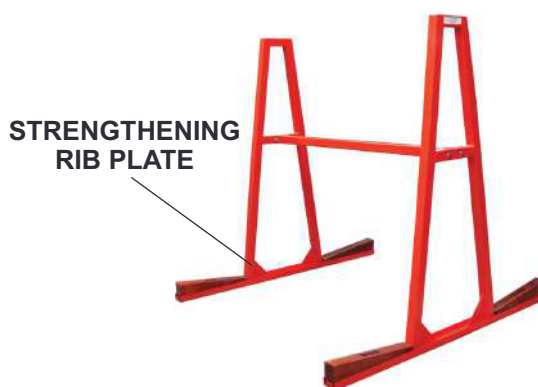
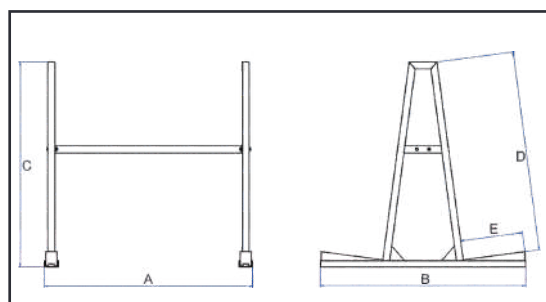
NOTE: Distribute Slabs Equally on Both Sides

Model	Length (A) In (mm)	Width (B) In (mm)	Height (C) In (mm)	(D) In (mm)	(E) In (mm)	Net Weight Per Pair - lbs (kg)	Work Load Limit lbs (kg)
SAF060	58 ¹⁵ / ₁₆ (1497)	3 ¹⁵ / ₁₆ (100)	58 ¹¹ / ₁₆ (1490)	57 ¹ / ₈ (1451)	17 ⁷ / ₈ (454)	115.5 (52.5)	16500 (7500) Per Side 33000 (15000) Both Sides
ESAF060	58 ¹⁵ / ₁₆ (1497)	3 ¹ / ₈ (80)	58 ¹¹ / ₁₆ (1490)	57 ⁵ / ₁₆ (1456)	17 ¹ / ₁₆ (450)	85.8 (39)	13200 (6000) Per Side 26400 (12000) Both Sides

ABACO TRUCK A-FRAME

Truck A-Frame was designed for safe slab storage. The 3 ¹⁵/₁₆"(100 mm) base has timber blocks as protection (check sizes in the picture below), and the joining cross bar are made of steel.

TAF060



NOTE: Distribute Slabs Equally on Both Sides

Model	Length (A) In (mm)	Width (B) In (mm)	Height (C) In (mm)	(D) In (mm)	(E) In (mm)	Net Weight lbs (kg)	Work Load Limit lbs (kg)
TAF060	59 ¹³ / ₁₆ (1520)	58 ¹⁵ / ₁₆ (1497)	58 ¹¹ / ₁₆ (1490)	57 ¹ / ₈ (1451)	17 ¹⁵ / ₁₆ (455)	125.4 (57)	16500 (7500) Per Side 33000 (15000) Both Sides

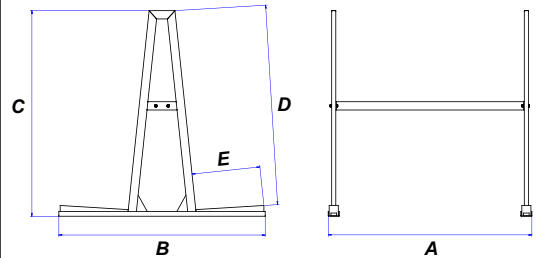
ABACO QLI TRUCK A-FRAME 060

- QLI truck A-Frame 060 was designed for safe slab storage. The base has timber blocks as protection, the standing frame and the joining cross form a sturdy frame. Lightweight and practical but reliable and durable.

ABACO QLI TRUCK A-FRAME 060



ABACO QLI TRUCK A-FRAME SENI/JUNI 060

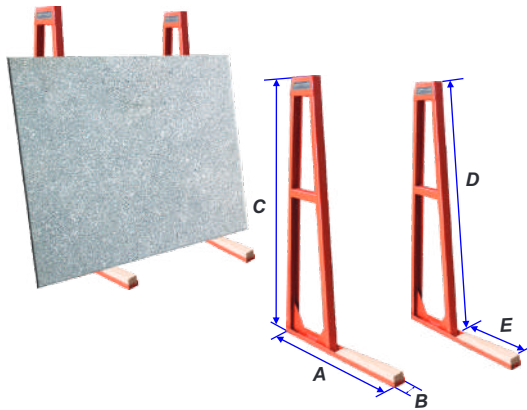


Model	Length (A) In (mm)	Width (B) In (mm)	Height (C) In (mm)	(D) In (mm)	(E) In (mm)	Net Weight lbs (kg)	Work Load Limit lbs (kg)
AQTA060	58 ¼ (1480)	59 ⅙ (1500)	58 ⅙ (1490)	57 ⅙ (1448)	19 ½ (495)	80.3 (36.5)	17600 (8000) Per Side 35200 (16000) Both Sides
AQTAS060	59 ⅙ (1500)	59 ⅙ (1500)	58 ⅙ (1490)	57 ⅙ (1450)	19 ⅝ (499)	79.2 (36)	15400 (7000) Per Side 30800 (14000) Both Sides
AQTAJ060	59 ⅙ (1500)	59 ⅙ (1500)	58 ⅙ (1490)	57 ⅙ (1450)	19 ⅙ (500)	66 (30)	12400 (5636) Per Side 24800 (11272) Both Sides

ABACO QLI A-FRAME 060

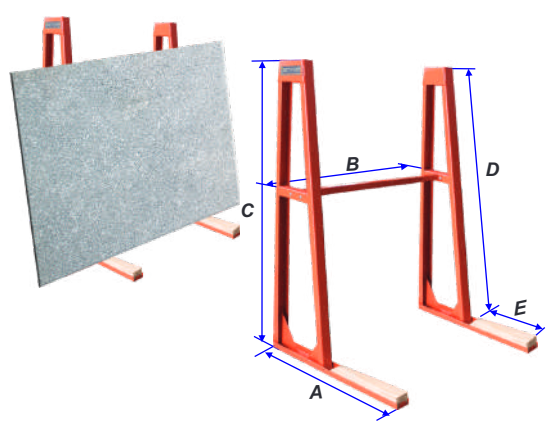
- These sturdy and durable frames are designed for safe slab storage in any work place.
- The base has timber blocks to avoid contact damage.

ABACO QLI SINGLE SIDED A-FRAME 060

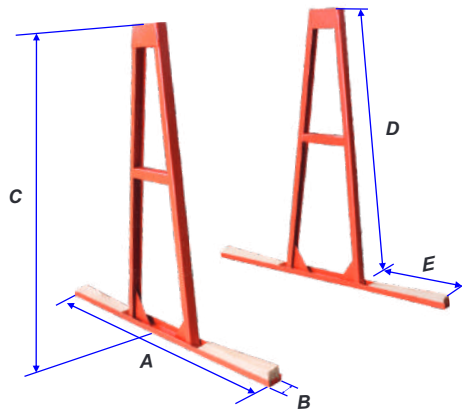


SOLD IN PAIRS

ABACO QLI SINGLE SIDED TRUCK A-FRAME 060



ABACO QLI STANDARD A-FRAME 060

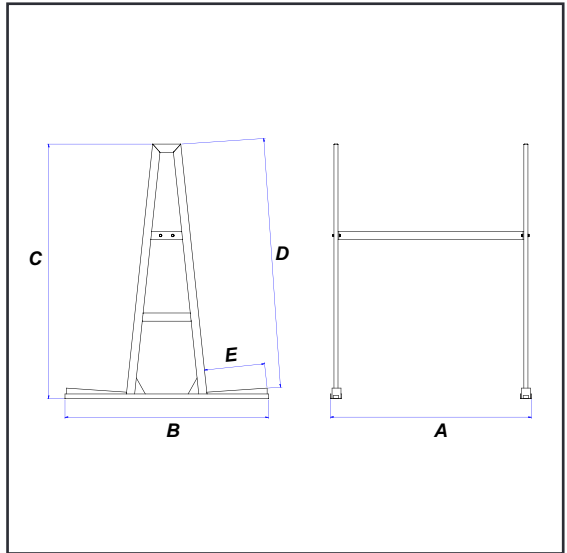


SOLD IN PAIRS

Model	Length (A) In (mm)	Width (B) In (mm)	Height (C) In (mm)	(D) In (mm)	(E) In (mm)	Net Weight lbs (kg)	Work Load Limit lbs (kg)
AQSSA060	34 ⁷ / ₁₆ (875)	3 ¹ / ₈ (80)	58 ¹ / ₁₆ (1490)	57 ¹ / ₁₆ (1450)	19 ⁵ / ₈ (499)	56.1 (25.5)	13200 (6000) Per Pair
AQSSTA060	34 ⁷ / ₁₆ (875)	59 ¹ / ₁₆ (1500)	58 ¹ / ₁₆ (1490)	57 ¹ / ₁₆ (1450)	19 ⁵ / ₈ (499)	66 (30)	13200 (6000)
AQSA060	59 ¹ / ₁₆ (1500)	3 ¹ / ₈ (80)	58 ¹ / ₁₆ (1490)	57 ¹ / ₁₆ (1450)	19 ⁵ / ₈ (499)	72.6 (33)	15400 (7000) Per Side 30800 (14000) Both Sides

ABACO QLI TRUCK A-FRAME 074

- Qli truck A-Frame 074 was designed for safe slab storage. The base has timber blocks as protection to avoid contact damage, the standing frame and the joining cross form a sturdy frame. Lightweight and practical but reliable and durable.

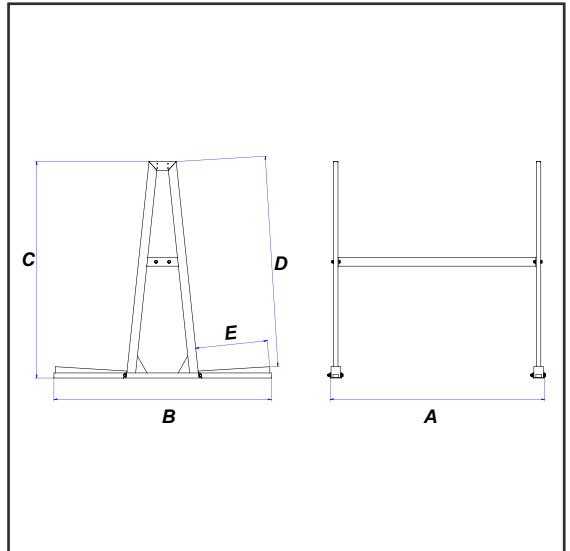


Model	Length (A) In (mm)	Width (B) In (mm)	Height (C) In (mm)	(D) In (mm)	(E) In (mm)	Net Weight lbs (kg)	Work Load Limit lbs (kg)
AQTA074	58 ¼ (1480)	59 ⅛ (1500)	73 ⅛ (1872)	72 ⅞ (1832)	17 ⅞ (446)	96.8 (44)	17600 (8000) Per Side 35200 (16000) Both Sides
AQTAS074	59 ⅛ (1500)	59 ⅛ (1500)	73 ⅛ (1872)	72 ⅜ (1833)	17 ⅞ (446)	96.8 (44)	15400 (7000) Per Side 30800 (14000) Both Sides
AQTAJ074	59 ⅛ (1500)	59 ⅛ (1500)	73 ⅛ (1872)	72 ⅞ (1832)	17 ⅞ (446)	77 (35)	12400 (5636) Per Side 24800 (11272) Both Sides

ABACO QLI FOLDING TRUCK A-FRAME 060

- The Abaco Qli Folding Truck A-Frame 060 is designed for safe slab storage. The base has timber blocks as protection, the standing frame and the joining crossform a sturdy frame.
- Lightweight and practical but reliable and durable.

Features: Bases can fold to save storage room.

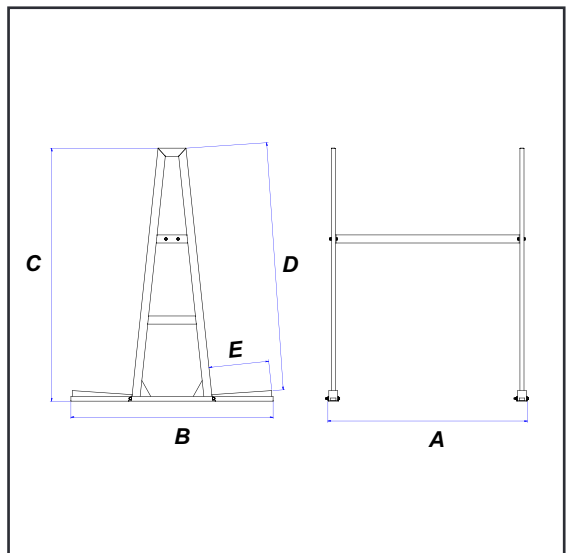


Model	Length (A) In (mm)	Width (B) In (mm)	Height (C) In (mm)	(D) In (mm)	(E) In (mm)	Net Weight lbs (kg)	Work Load Limit lbs (kg)
AQFTA060	59 1/16 (1500)	59 1/16 (1500)	58 1/16 (1490)	57 1/16 (1448)	19 1/2 (495)	80.3 (36.5)	17600 (8000) Per Side 35200 (16000) Both Sides
AQFTAS060	59 1/16 (1500)	59 1/16 (1500)	58 1/16 (1490)	57 1/16 (1450)	19 5/8 (498)	83.6 (38)	15400 (7000) Per Side 30800 (14000) Both Sides
AQFTAJ060	59 1/16 (1500)	59 1/16 (1500)	58 1/16 (1490)	57 1/16 (1448)	19 5/8 (498)	64.9 (29.5)	12400 (5636) Per Side 24800 (11272) Both Sides

ABACO QLI FOLDING TRUCK A-FRAME 074

- The Abaco Qli Folding Truck A-Frame 074 is designed for safe slab storage. The base has timber blocks as protection, the standing frame and the joining cross form a sturdy frame. Lightweight and practical but reliable and durable.

Features: Bases can fold to save storage room.

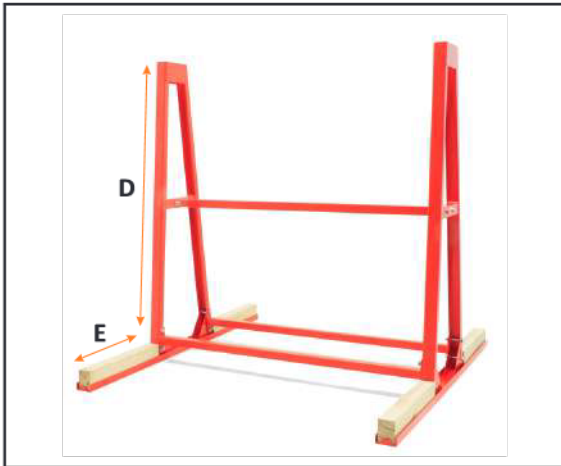


Model	Length (A) In (mm)	Width (B) In (mm)	Height (C) In (mm)	(D) In (mm)	(E) In (mm)	Net Weight lbs (kg)	Work Load Limit lbs (kg)
AQFTA074	58 ¼ (1480)	59 ⅙ (1500)	73 ⅙ (1872)	72 ⅛ (1832)	17 ⅙ (446)	93.5 (42.5)	17600 (8000) Per Side 35200 (16000) Both Sides
AQFTAS074	59 ⅙ (1500)	59 ⅙ (1500)	73 ⅙ (1872)	72 ⅜ (1833)	17 ⅙ (446)	97.9 (44.5)	15400 (7000) Per Side 30800 (14000) Both Sides
AQFTAJ074	59 ⅙ (1500)	59 ⅙ (1500)	73 ⅙ (1872)	72 ⅜ (1833)	17 ⅙ (446)	78.1 (35.5)	12400 (5636) Per Side 24800 (11272) Both Sides

ABACO EASY LOAD A-FRAME

- AEL060 is designed for safe slab storage in any workplace.
- Timber blocks on the base are shaped to hold heavy loads steady and avoid contact damage.
- A safer and more economical alternative to home made wood A-frames.

AEL060

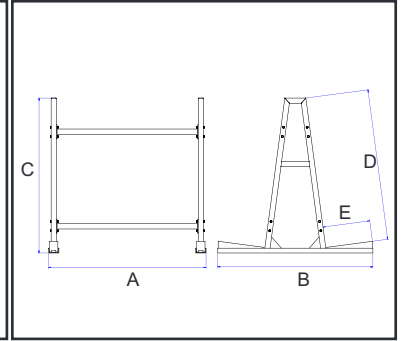


Model	Length (A) In (mm)	Width (B) In (mm)	Height (C) In (mm)	(D) In (mm)	(E) In (mm)	Net Weight lbs (kg)	Work Load Limit lbs (kg)
AEL060	59 1/16 (1500)	59 1/16 (1500)	58 1/16 (1490)	55 3/8 (1406)	19 1/2 (495)	114.4 (52)	6000 (2727) Per Side 12000 (5454) Both Sides

ABACO HEAVY DUTY TRUCK A-FRAME

- Two upright parts of TAF060H A-frame are connected by 4 cross bar giving max sturdiness to the whole structure. Timber blocks on the base are shaped to hold slabs up to 39600 lbs (18000 kg) steady and avoid contact damage

TAF060H

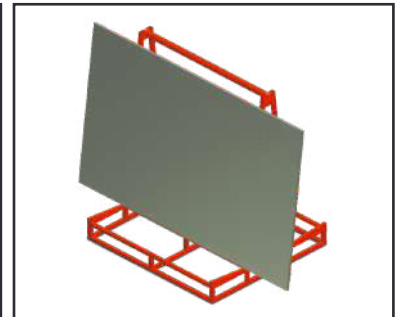
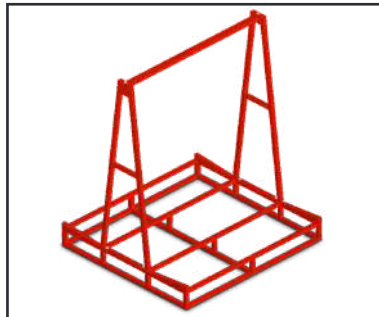
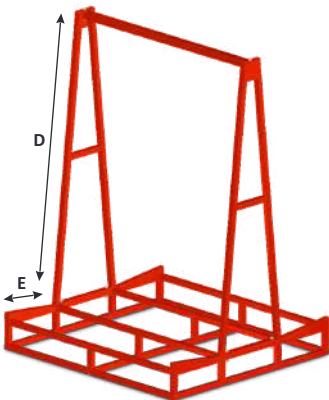


NOTE: Distribute Slabs Equally on Both Sides

Model	Length (A) In (mm)	Width (B) In (mm)	Height (C) In (mm)	(D) In (mm)	(E) In (mm)	Net Weight lbs (kg)	Work Load Limit lbs (kg)
TAF060H	59 ¹⁵ / ₁₆ (1520)	58 ¹⁵ / ₁₆ (1497)	58 ¹⁵ / ₁₆ (1490)	57 ¹ / ₈ (1451)	17 ¹⁵ / ₁₆ (455)	162.8 (74)	19800 (9000) Per Side 39600 (18000) Both Sides

ABACO QLI SMART LOAD A-FRAME

- Suitable to be used in any work place
- Its base is shaped to easily engage with any forklift.

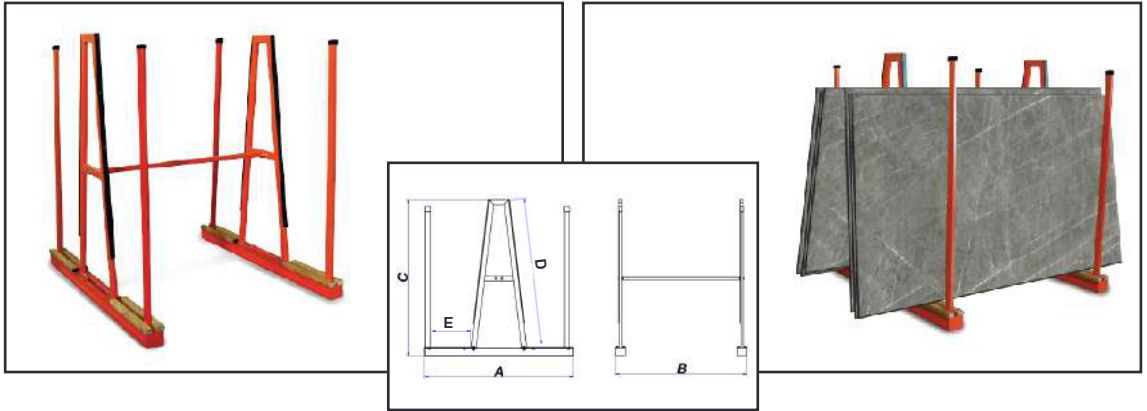


Model	Length (A) In (mm)	Width (B) In (mm)	Height (C) In (mm)	(D) In (mm)	(E) In (mm)	Net Weight Per Pair - lbs (kg)	Work Load Limit lbs (kg)
AQSL060	47 ¹ / ₄ (1200)	43 ³ / ₁₆ (1100)	65 ³ / ₈ (1660)	59 ⁵ / ₁₆ (1506)	13 ³ / ₈ (339)	71.5 (32.5)	11000 (5000)

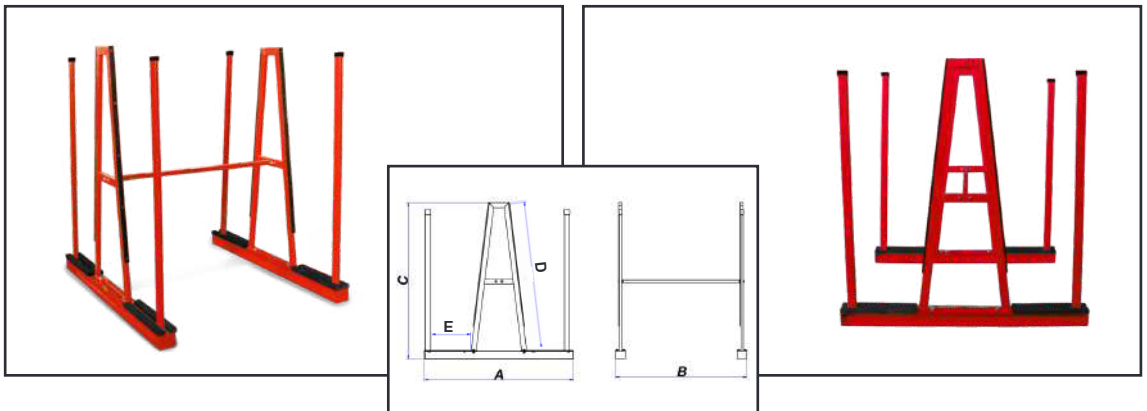
ABACO UNIVERSAL A-FRAME

UAF70W-P made of steel frames fit heavy duty loads in any work place. Bases have either HDPE plastic or wood protection to avoid contact damage, rubber strips are located on the A frame sides. Components are detachable for easy load and transportation.

UAF70W



UAF70P

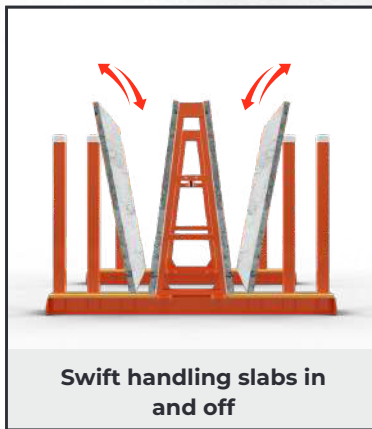


Work Load Limit Between Safety Securing Bars 1100 lbs (500 kg)

Model	Length (A) In (mm)	Width (B) In (mm)	Height (C) In (mm)	(D) In (mm)	(E) In (mm)	Net Weight lbs (kg)	Work Load Limit lbs (kg)
UAF70W	59 1/16 (1500)	52 1/16 (1322)	61 13/16 (1570)	58 1/8 (1477)	14 3/4 (375)	129.8 (59)	16500 (7500) Per Side 33000 (15000) Both Sides
UAF70P	59 1/16 (1500)	52 1/16 (1322)	61 13/16 (1570)	58 3/8 (1483)	15 15/16 (406)	129.8 (59)	16500 (7500) Per Side 33000 (15000) Both Sides

ABACO UNIVERSAL A-FRAME

Large space saving in storing different size slabs for your warehouse.



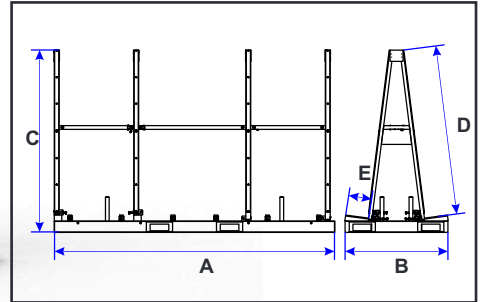
Model	Length (A) In (mm)	Width (B) In (mm)	Height (C) In (mm)	Net Weight lbs (kg)	Work Load Limit lbs (kg)	W.L.L. per set of safety securing bars - lbs (kg)
UAF15-10T	94 13/16 (2408)	71 1/8 (1806)	70 1/4 (1785)	446.6 (203)	33000 (15000)	22000 (10000)
UAF15-5T	94 13/16 (2408)	71 1/8 (1806)	70 1/4 (1785)	411.4 (187)	33000 (15000)	11000 (5000)
UAF15-2.5T	94 13/16 (2408)	69 1/8 (1756)	68 11/16 (1745)	299.2 (136)	33000 (15000)	5500 (2500)
UAF10-1.5T	94 13/16 (2408)	69 1/8 (1756)	67 15/16 (1725)	261.8 (119)	22000 (10000)	3300 (1500)

ABACO HEAVY DUTY FOLDING ONE STOP A-FRAME

- Designed for transporting and storing stone slabs in warehouses, factories, or construction sites.
- The A-frames are connected by the cross bar for ensuring a rigid structure.

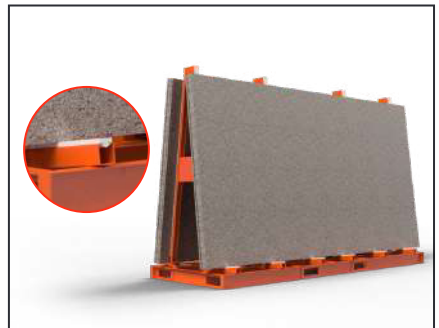


AHFOSA11872



CONVENIENT AND SPACE SAVING

Simple design for easy to use, fold, stackable to save space, and convenient for transporting with only one package.



HIGH PROTECTION

Rubber strips covered on the frame surface protects the slabs or sheets from cracking or chipping off during moving.

Model	Length (A) In (mm)	Width (B) In (mm)	Height (C) In (mm)	(D) In (mm)	(E) In (mm)
AHFOSA11872	118 1/8 (3000)	43 5/16 (1100)	76 1/2 (1943)	71 1/8 (1806)	9 3/4 (248)

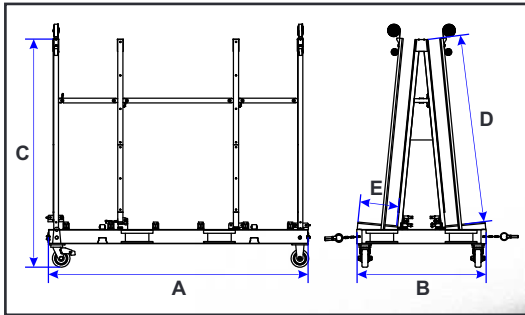
Model	Net Weight lbs (kg)	Work Load Limit Per Side - lbs (kg)	Work Load Limit Both Sides - lbs (kg)
AHFOSA11872	396 (180)	6600 (3000)	13200 (6000)

ABACO FOLDING ONE-STOP A-FRAME

- Designed for transporting and storing stone slabs in warehouses, factories, or construction sites.
- The A-frames are connected by the cross bar for ensuring a rigid structure.



FOSA7547



Stackable for optimizing space when not in use

CONVENIENT AND SPACE SAVING

Simple design for easy to use, fold, stackable to save space, and convenient for transporting with only one package.

HIGH PROTECTION

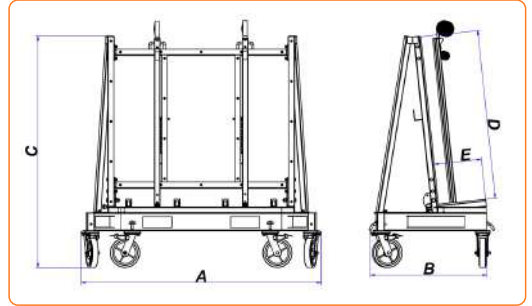
Rubber strips covered on the frame surface protects the slabs or sheets from cracking or chipping off during moving.

Model	Length (A) In (mm)	Width (B) In (mm)	Height (C) In (mm)	(D) In (mm)	(E) In (mm)
FOSA7547	73 5/8 (1870)	43 5/16 (1100)	60 1/4 (1531)	46 3/4 (1187)	13 1/16 (332)

Model	Net Weight lbs (kg)	Capacity with Casters - lbs (kg)	Capacity with stationary (one side) lbs (kg)	Stationary W/o Casters - lbs (kg)
FOSA7547	336.6 (153)	4400 (2000)	8800 (4000)	17600 (8000)

ABACO NESTING SINGLE SIDED CART

- Excellent equipment for storing and transporting slabs in warehouses, factories, or construction sites,...
- With smart design makes your workspace more productive.



Swivel casters

Fold upward the top of the base frame Direction of the nestable way

SIMPLE AND SPACE OPTIMIZATION

Unique design that helps the carts can be folded and nested easily to make your workplace tidy when not in use.

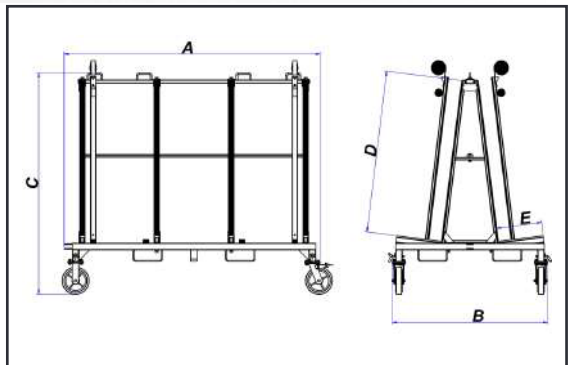
MORE SAFETY

The high-quality rubber strip and the ratchet securing bars will protect the slabs perfectly from damage during moving.

MODEL	Length In (mm)	Width In (mm)	Height In (mm)	(D) In (mm)	(E) In (mm)	Net Weight lbs (kg)	Working Load limit - lbs (kg)
NSC6432	64 7/16 (1637)	31 1/4 (793)	62 1/16 (1575)	45 3/16 (1147)	14 1/2 (368)	195.8 (89)	2200 (1000)

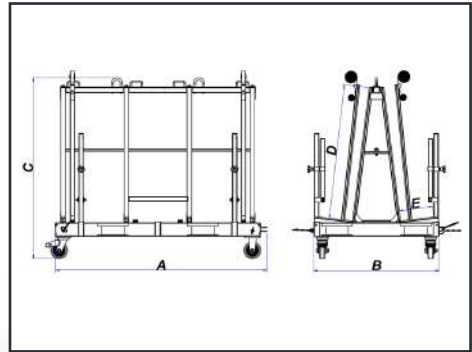
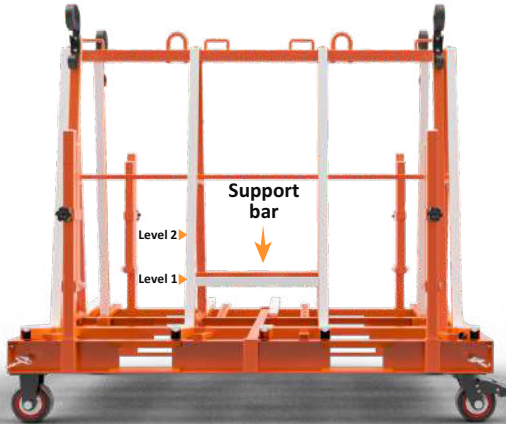
ABACO SMART ONE STOP A-FRAME

- A very safe Smart One Stop A-Frame to move slabs, it has plenty of rubber strips and 4 ratched security bars to hold loads steady. Two eyelets on top bar and wide slots in the base fit perfectly for lifting the frame with an overhead crane or fork lift truck. Has 4 casters for easy moving, two with brake to lock the frame steady to the ground when needed. Fully dismantlable for easy transport or storage.



Model	Length (A) In (mm)	Width (B) In (mm)	Height (C) In (mm)	(D) In (mm)	(E) In (mm)	Net Weight lbs (kg)	Capacity with Casters - lbs (kg)	Stationary W/o Casters - lbs (kg)
SOSA7247	74 1/2 (1892)	45 1/4 (1150)	64 1/16 (1626)	46 11/16 (1186)	13 3/8 (340)	279.4 (127)	3300 (1500)	11000 (5000)
SOSA7263	74 1/2 (1892)	45 1/4 (1150)	79 3/4 (2025)	62 1/8 (1578)	13 15/16 (354)	301.4 (137)	3300 (1500)	11000 (5000)
SOSA8763	90 1/4 (2292)	45 1/4 (1150)	79 1/2 (2019)	62 9/16 (1589)	11 1/16 (294)	363 (165)	3300 (1500)	11000 (5000)
SOSA9679	96 1/8 (2460)	47 1/4 (1200)	95 9/16 (2428)	78 1/16 (1982)	13 1/16 (342)	393.8 (179)	3300 (1500)	11000 (5000)

- This PRO version A-frame features 4 safety side bars, 4 ratchet securing mobile bars with straps and special rubber strips for max slab protection when moved. Suitable to work with both glass and stone slabs. The upper bar of the frame has eyelets for crane lifting, the base has slots on 4 sides for simple forklift use. Has 2 casters with brake to lock the frame steady to the ground when needed. If 4 casters under the base are removed and replaced by quick release/mounting pins max work loading limit can increase significantly.



NEW IMPROVEMENT

<p>NEW SOLUTION</p> <p>New solution store small slabs easily with support bar</p>	<p>FLEXIBLE FOR VARIOUS SLAB SIZES</p> <p>Support bars with two adjustable height levels help to store various slab sizes.</p>

Note: Distribute Slabs/Glass Sheets Equally on Both Sides.

MODEL	Length (A) In (mm)	Width (B) In (mm)	Height (C) In (mm)	(D) In (mm)	(E) In (mm)
OSA7247PRO-M2	73 ¹⁵ / ₁₆ (1878)	43 ⁵ / ₁₆ (1100)	62 ¹⁵ / ₁₆ (1600)	46 ³ / ₄ (1187)	11 ³ / ₄ (299)
OSA7263PRO-M2	73 ¹⁵ / ₁₆ (1878)	43 ⁵ / ₁₆ (1100)	78 ³ / ₄ (2000)	61 ¹³ / ₁₆ (1570)	13 ¹³ / ₁₆ (351)
OSA8763PRO-M2	88 ¹ / ₂ (2248)	43 ⁵ / ₁₆ (1100)	78 ¹ / ₂ (1994)	61 ⁵ / ₈ (1565)	11 ³ / ₄ (298)

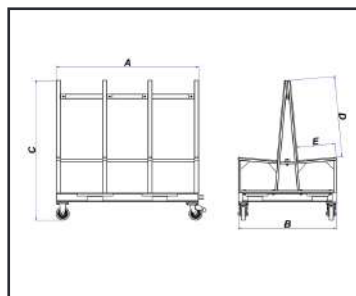
MODEL	Net Weight lbs (kg)	Lifting with Eyelets lbs (kg)	Capacity with Casters lbs (kg)	Stationary* W/o Casters lbs (kg)
OSA7247PRO-M2	345.4 (157)	5500 (2500)	4400 (2000)	30800 (14000)
OSA7263PRO-M2	363 (165)	5500 (2500)	4400 (2000)	30800 (14000)
OSA8763PRO-M2	437.8 (199)	5500 (2500)	4400 (2000)	30800 (14000)

* : Removing caster wheels



ABACO ONE STOP HIGH A-FRAME

This Abaco One Stop High A-frame is designed to keep slab high and far from the ground. Its base has forklift slots on the two longest sides, and plenty of rubber strips to prevent material from chipping off. Suitable to work with both glass and stone slabs. Easy to disassemble and re-assemble for shipping or storage. Has 4 casters for easy moving, two with brake to lock the frame steady to the ground when needed.



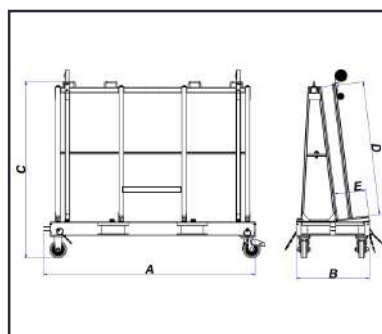
Note: Distribute Slabs/Glass Sheets Equally on Both Sides.

Model	Length (A) In (mm)	Width (B) In (mm)	Height (C) In (mm)	(D) In (mm)	(E) In (mm)	Net Weight lbs (kg)	Capacity with Casters - lbs (kg)	Stationary W/o Casters - lbs (kg)
OSHA7236	65 ³ / ₁₆ (1660)	43 ⁵ / ₁₆ (1100)	62 ¹⁵ / ₁₆ (1598)	35 ³ / ₄ (908)	17 ¹ / ₁₆ (433)	314.6 (143)	4400 (2000)	5500 (2500)



ABACO ONE STOP SINGLE SIDED A-FRAME

SSA7247-M2 is a single sided A-Frame, Its base has forklift slots on 2 longest sides. It has plenty of rubber strips and two ratchet security bars to help keep slabs steady and safe. Suitable to work with both glass and stone slabs. Easy to disassemble and re-assemble for shipping or storage.



NEW IMPROVEMENT

Model	Length (A) In (mm)	Width (B) In (mm)	Height (C) In (mm)	(D) In (mm)	(E) In (mm)	Net Weight lbs (kg)	Capacity with Casters - lbs (kg)	Stationary W/o Casters - lbs (kg)
SSA7247-M2	73 ¹⁵ / ₁₆ (1878)	25 ⁹ / ₁₆ (650)	61 ⁹ / ₁₆ (1563)	46 ⁹ / ₁₆ (1183)	11 ¹ / ₁₆ (280)	231 (105)	4400 (2000)	15400 (7000)



- The heavy-duty A-frame is ideal for storing and transporting stone slabs, sheets and blocks with integrated forklift slots.
- Rubber strips protect your items from cracking or chipping. Additional stability provided by ratchet security bars.
- Its components are detachable to facilitate disassembling, storage, reassembling.

NEW IMPROVEMENT



NEW SOLUTION

New solution store small slabs easily with support bar



FLEXIBLE FOR VARIOUS SLAB SIZES

Support bars with two adjustable height levels help to store various slab sizes.

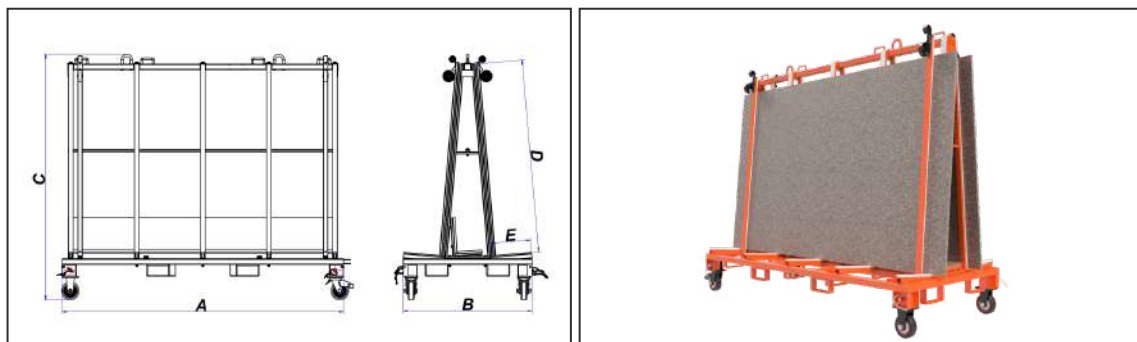
Model	Length (A) In (mm)	Width (B) In (mm)	Height (C) In (mm)	(D) In (mm)	(E) In (mm)	Net Weight lbs (kg)	Lifting with Eyelets - lbs (kg)	W.L.L. with ** Casters - lbs (kg)	Stationary W/o* Casters - lbs (kg)
OSA4747	49 5/8 (1260)	43 5/16 (1100)	62 15/16 (1600)	46 7/8 (1190)	13 1/8 (333)	253 (115)	5500 (2500)	4400 (2000)	17600 (8000)
OSA6135	62 15/16 (1598)	38 5/16 (973)	51 1/16 (1296)	35 1/16 (890)	11 7/16 (290)	261.8 (119)	5500 (2500)	4400 (2000)	17600 (8000)
OSA7247-M2	73 15/16 (1878)	43 5/16 (1100)	63 1/16 (1601)	46 3/4 (1187)	13 1/8 (334)	294.8 (134)	5500 (2500)	4400 (2000)	30800 (14000)
OSA7263-M2	73 15/16 (1878)	43 5/16 (1100)	78 3/4 (2000)	61 13/16 (1570)	13 13/16 (351)	316.8 (144)	5500 (2500)	4400 (2000)	30800 (14000)
OSA7275-M2	73 15/16 (1878)	43 5/16 (1100)	90 9/16 (2300)	73 1/2 (1867)	12 1/16 (322)	341 (155)	5500 (2500)	4400 (2000)	30800 (14000)
OSA7286-M2	73 15/16 (1878)	43 5/16 (1100)	103 7/16 (2628)	86 7/16 (2195)	11 5/8 (295)	387.2 (176)	5500 (2500)	4400 (2000)	30800 (14000)
OSA8756-M2	88 1/2 (2248)	43 5/16 (1100)	71 1/2 (1816)	54 7/8 (1394)	11 13/16 (300)	356.4 (162)	5500 (2500)	4400 (2000)	30800 (14000)
OSA8763-M2	88 1/2 (2248)	43 5/16 (1100)	78 1/2 (1994)	62 13/16 (1595)	11 3/4 (298)	354.2 (161)	5500 (2500)	4400 (2000)	30800 (14000)
OSA9679-M2	96 7/8 (2460)	47 1/4 (1200)	94 5/16 (2396)	77 5/8 (1972)	13 3/8 (339)	437.8 (199)	5500 (2500)	4400 (2000)	30800 (14000)

** : Work load limit * : Removing caster wheels



ABACO ONE STOP A-FRAME

An Ideal A-frame for stone and glass slab transportation in any work place. Plenty of rubber strips and four ratchet security bars to help keep slabs steady and safe. Usable space inside standing parts of the frame to store tools and accessories. Has 4 casters for easy moving, two with brake to lock the frame steady to the ground when needed. Casters can be replaced by quick mounting/release pins and dramatically increase the work load limit. A-Frame has base slots and upper bar eyelets to lift it with a fork lift truck or an overhead crane.



Note: Distribute Slabs/Glass Sheets Equally on Both Sides.

Model	Length (A) In (mm)	Width (B) In (mm)	Height (C) In (mm)	(D) In (mm)	(E) In (mm)
OSA9463-M2	96 ⁷ / ₈ (2460)	43 ⁵ / ₁₆ (1100)	82 ⁵ / ₁₆ (2090)	64 ⁵ / ₁₆ (1634)	13 ⁵ / ₁₆ (338)

Model	Net Weight lbs (kg)	Lifting with Eyelets - lbs (kg)	Capacity with Casters - lbs (kg)	Stationary * W/o Casters - lbs (kg)
OSA9463-M2	473 (215)	5500 (2500)	4400 (2000)	30800 (14000)

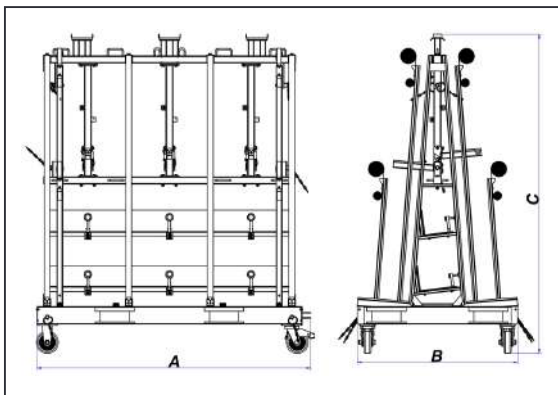
* : Removing caster wheels

This BI-LEVEL A-Frame is designed for large, heavy slab transportation and storage; several cross bars provide max stability. Upper brackets can be extended or fold according to actual need. Plenty of rubber strips and 12 ratchet security bars to help keep slabs steady and safe. Suitable to work with fragile slabs. Has 4 casters for easy moving, two with brake to lock the frame steady to the ground when needed. Casters can be replaced by quick mounting/release pins.

Technical Specification

Upper level loading capacity per side: 1760 lbs (800 kg)
 Stationary without Casters: 30800 lbs (14000 kg)
 Capacity with Casters: 4400 lbs (2000 kg)

The handle (sold separately)
 can be attached as
 your requirement

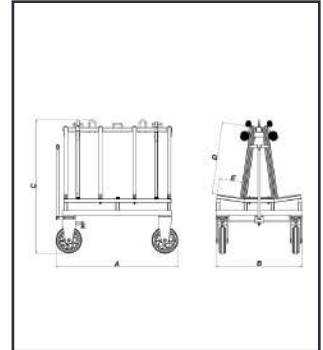


Model	Length (A) In (mm)	Width (B) In (mm)	Height (C) In (mm)	Net Weight lbs (kg)
OSA7267-2T-M2	73 1/16 (1878)	43 3/16 (1100)	85 7/8 (2182)	495 (225)



ABACO ONE STOP A-FRAME

A very safe One Stop A-Frame to move slabs, it has plenty of rubber strips and 4 ratchet security bars to hold loads steady. Two eyelets on top bar and double bar base with wide slots fit perfectly for lifting the frame with an overhead crane or fork lift truck. Has 4 casters for easy moving, two maneuvered by the pulling handle. The frame is used in a stationary mode work load limit raises almost 3 times.

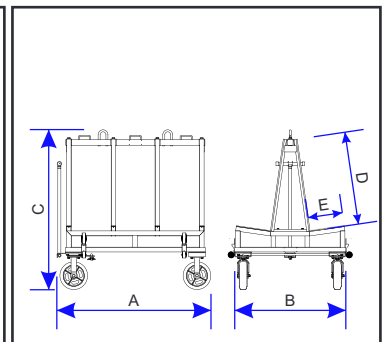


* Work load limit

Model	Length (A) In (mm)	Width (B) In (mm)	Height (C) In (mm)	(D) In (mm)	(E) In (mm)	Net Weight lbs (kg)	W.L.L.* with Casters - lbs (kg)	Stationary W/o Casters - lbs (kg)	Lifting with Eyelets - lbs (kg)
OSA4932	55 ⁵ / ₁₆ (1405)	39 ³ / ₁₆ (995)	60 ¹ / ₄ (1530)	32 ⁷ / ₁₆ (824)	12 ¹ / ₁₆ (305)	380.6 (173)	2640 (1200)	7700 (3500)	2640 (1200)

ABACO DEMOUNTABLE FRAME

The sturdy design of the Abaco Demountable Frame prevents material from chipping off and keeps the finished work high off the ground. Rubber strips are mounted on the bottom and back support to prevent slippage.

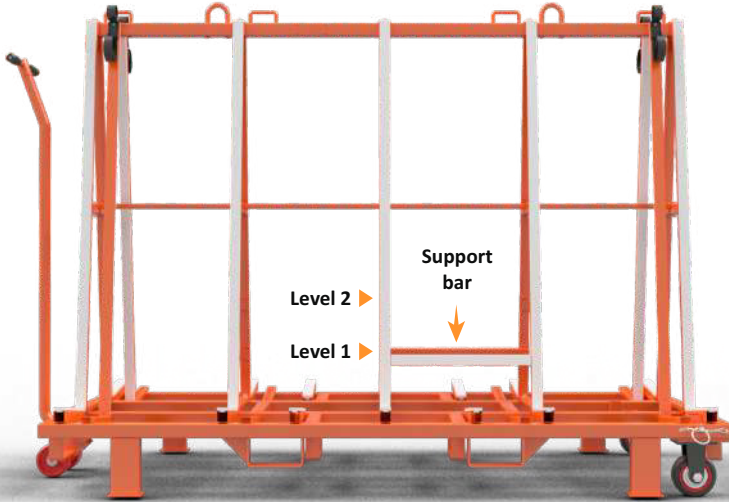


* Work load limit

Model	Length (A) In (mm)	Width (B) In (mm)	Height (C) In (mm)	(D) In (mm)	(E) In (mm)	Net Weight lbs (kg)	W.L.L.* with Casters - lbs (kg)	Stationary W/o Casters - lbs (kg)	Lifting with Eyelets - lbs (kg)
ADF4932	54 ¹ / ₂ (1385)	39 ³ / ₁₆ (995)	56 ³ / ₁₆ (1432)	32 ³ / ₁₆ (827)	12 ¹ / ₁₆ (308)	268.4 (122)	2200 (1000)	4400 (2000)	2200 (1000)

ABACO ONE STOP A-FRAME

A very safe One Stop A-Frame to move slabs, it has plenty of rubber strips and 4 ratchet security bars to hold loads steady. Has 4 casters for easy moving, two maneuvered by the pulling handle. If the frame is used in a stationary mode (see PIC below) work load limit raises 2 times. Two eyelets on the top bar and wide slots in the base fit perfectly for lifting the frame with an overhead crane or fork lift truck. Fully dismantlable for easy transport or storage. Frame square tubular section provides high rigidity and lightweight for easy handling of such a large frame.



NEW IMPROVEMENT

 	
<p>NEW SOLUTION</p> <p>New solution store small slabs easily with support bar</p>	<p>FLEXIBLE FOR VARIOUS SLAB SIZES</p> <p>Support bars with two adjustable height levels help to store various slab sizes.</p>

Note: Distribute Slabs/Glass Sheets Equally on Both Sides.

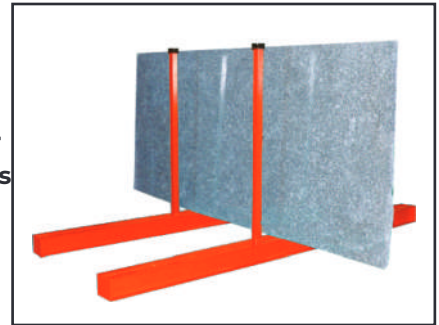
Model	Length (A) In (mm)	Width (B) In (mm)	Height (C) In (mm)	(D) In (mm)	(E) In (mm)
OSA9458-M2	94 ½ (2400)	43 ⅝ (1100)	72 ⅞ (1840)	58 ⅞ (1476)	11 ⅞ (302)

Model	Net Weight lbs (kg)	Lifting with Eyelets - lbs (kg)	Capacity with Casters - lbs (kg)	Stationary W/o Casters - lbs (kg)
OSA9458-M2	424.6 (193)	5500 (2500)	4400 (2000)	8800 (4000)

ABACO SLAB RACK

- These racks, sold in pairs, can hold many slabs of different size to optimize space.
- Two bases are 118 ¾"(3016 mm) long and feature 10 poles each, with rubber cups on top for protection.
- For very delicate items poles can have rubber strips (model SKR010R).

SRK010



SOLD IN PAIRS

SRK010R



SOLD IN PAIRS

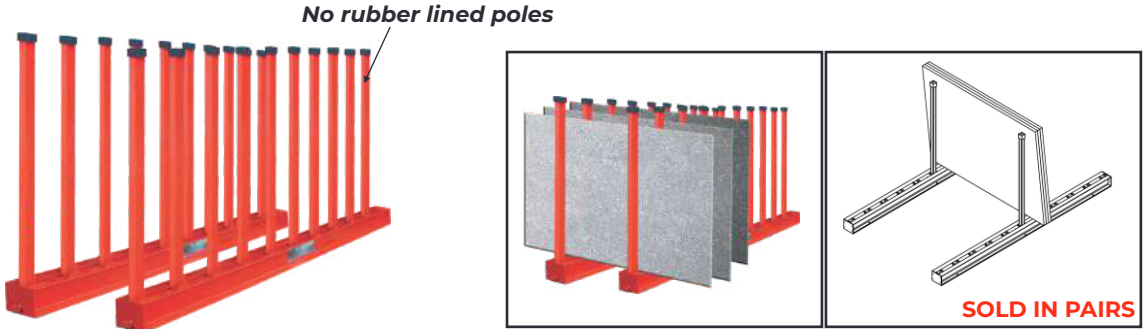
1* Maximum Weight Load Limit Between Poles

MODEL	Length In (mm)	Width In (mm)	Height In (mm)	Net Weight Per Pair lbs (kg)	Work load limit - lbs (kg)	Poles number per base	Holes number per base
SRK010	118 ¾ (3016)	6 ⅞ (164)	58 ⅞ (1496)	616 (280)	6000 (2727)	10	11
SRK010R	118 ¾ (3016)	6 ⅞ (164)	58 ⅞ (1496)	717.2 (326)	6000 (2727)	10	11

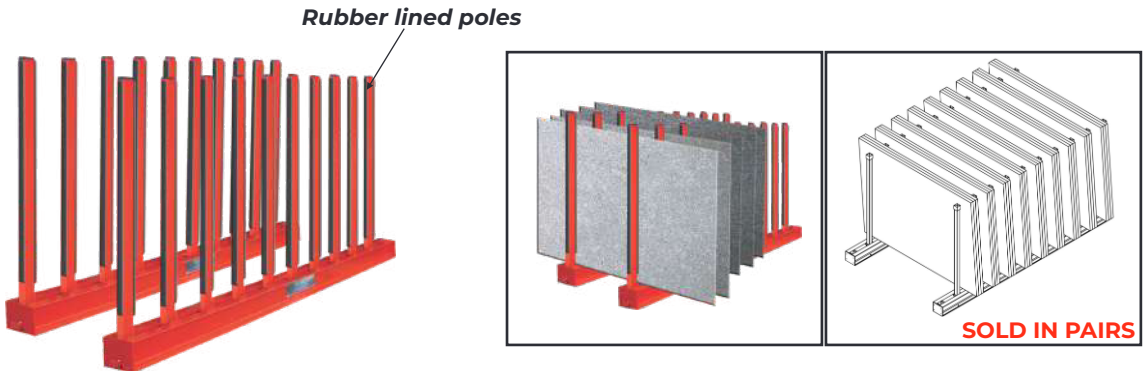
ABACO QLI SLAB RACK

- This Qli Slab Rack, sold in pairs, helps to optimize space in workshops that are limited in size.
- With 10 poles for each base can easily hold many slabs in different sizes and materials.
- To hold very delicate material a model with rubber strips poles is available (QSRK010R).

QSRK010



QSRK010R



NOTE: Design tube poles height as each client requirement

MODEL	Length In (mm)	Width In (mm)	Height In (mm)	Net Weight Per Pair lbs (kg)
QSRK010	119 1/8 (3026)	5 1/8 (130)	59 3/16 (1510)	490.6 (223)
QSRK010R	119 1/8 (3026)	5 1/8 (130)	59 3/16 (1504)	514.8 (234)

MODEL	Work load limit - lbs (kg) ^{1*}	Poles number per base	Holes number per base
QSRK010	5500 (2500)	10	11
QSRK010R	5500 (2500)	10	11

^{1*} Maximum Weight Load Limit Between Poles

ABACO BUNDLE SLAB RACK

- Bundle Slab Racks, sold in pairs are the ideal tool to keep in order bundles of stone, marble, granite large slabs. Each one of 8 poles (4 per base) is 1 15/16" x 3 15/16" x 59 1/16" (50 x 100 x 1500 mm) in size - 1/4" (6 mm) in thickness. Wood strips are located on bases to avoid contact damage.



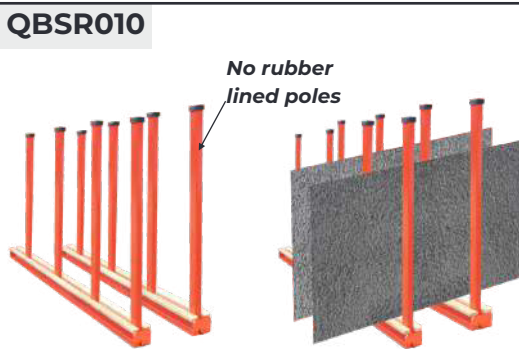
MODEL	BSR010
Length - In (mm)	118 3/4 (3015.5)
Width - In (mm)	6 7/16 (164)
Height - In (mm)	59 3/8 (1508)
Net Weight Per Pair - lbs (kg)	510.4 (232)
Work load limit ^{1*} lbs (kg)	22000 (10000)
Holes number per base	7
Poles number per base	4

SOLD IN PAIRS

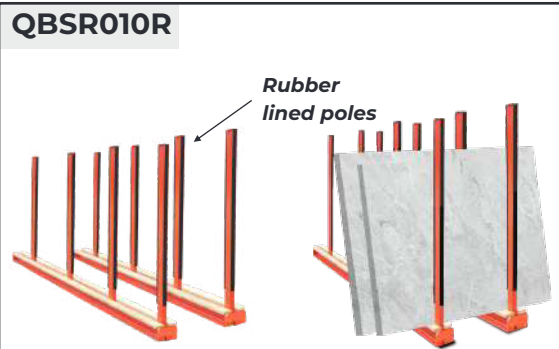
^{1*} Maximum Weight Load Limit Between Poles

ABACO QLI BUNDLE SLAB RACK

NOTE: Design tube poles height as each client requirement



SOLD IN PAIRS

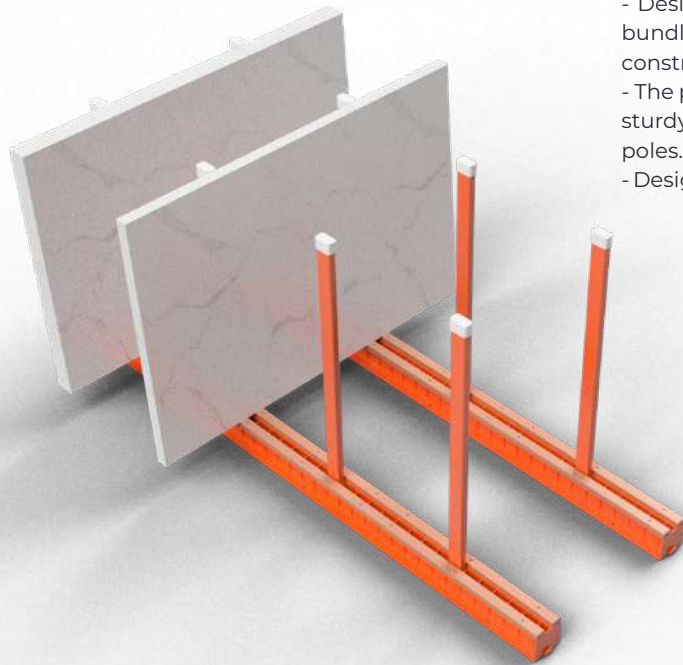


SOLD IN PAIRS

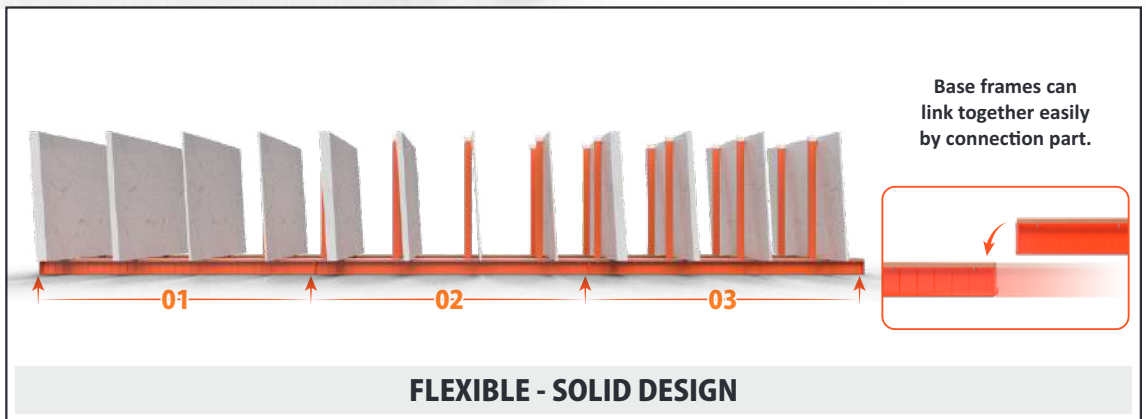
MODEL	Length In (mm)	Width In (mm)	Height In (mm)	Net Weight Per Pair lbs (kg)	Work load limit - lbs (kg) ^{1*}	Poles number per base	Holes number per base
QBSR010	118 15/16 (3022)	5 1/2 (140)	59 7/16 (1510)	363 (165)	10340 (4700)	4	7
QBSR010R	118 15/16 (3022)	5 1/2 (140)	59 3/16 (1504)	378.4 (172)	10340 (4700)	4	7

^{1*} Maximum Weight Load Limit Between Poles

ABACO QLI UNIVERSAL BUNDLE SLAB RACK



- Designed to store and display stone slabs or bundle slabs within warehouses, factories, and construction sites.
- The product is made of steel, so it is stable and sturdy. It consists mainly of a base frame and poles.
- Design holes continuously on the base frame.



*** Maximum Weight Load Limit Between Poles**

MODEL	Length In (mm)	Width In (mm)	Height In (mm)	Net Weight Per Pair - lbs (kg)
AQUBSR010-PRO	118 ¾ (3016)	6 ¼ (158)	59 ⅜ (1508)	407 (185)

MODEL	Poles number per base	Holes number per base	Work Load Limit lbs (kg) ^{1*}
AQUBSR010-PRO	4	33	12500 (5680)

ABACO RHINO SLAB RACK

- Rhino Slab Racks, sold in pairs, are the ideal tool to keep in place many slabs different in size and thickness.
- Any base has 5 up to 10 supporting poles and 14 up to 28 base holes (check below) for storage max flexibility.
- For very delicate material holding models R with rubber lined poles are available.
- All Rhino Slab Racks have Rubber protection on the bases.

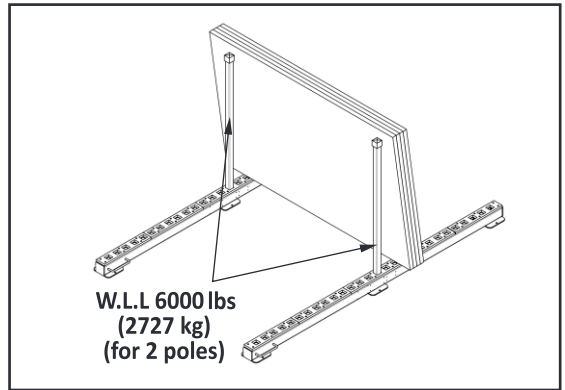
RSR005, RSR010



RSR05R, RSR10R



SOLD IN PAIRS



1* Maximum Weight Load Limit Between Poles

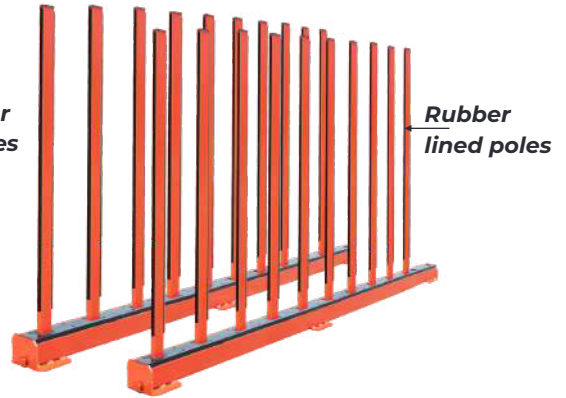
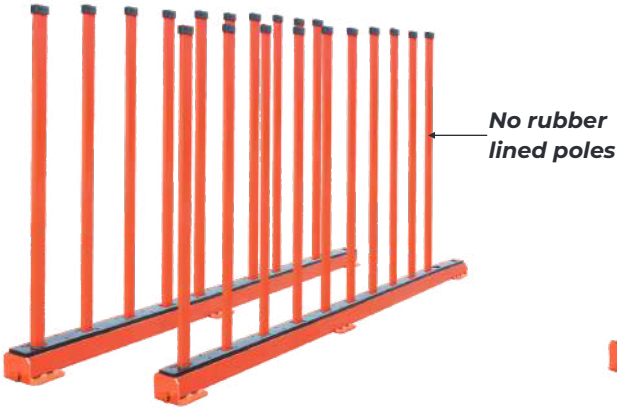
MODEL	Length In (mm)	Width In (mm)	Height In (mm)	Net Weight Per Pair lbs (kg)	Work load limit - lbs (kg)	Poles number per base	Holes number per base
RSR005	79 3/4 (2026)	7 5/16 (192)	59 3/16 (1504)	451 (205)	6000 (2727)	6	19
RSR05R	79 3/4 (2026)	7 5/16 (192)	59 3/16 (1504)	499.4 (227)	6000 (2727)	6	19
RSR010	119 1/8 (3026)	7 5/16 (192)	59 3/16 (1504)	600.6 (273)	6000 (2727)	10	28
RSR10R	119 1/8 (3026)	7 5/16 (192)	59 3/16 (1504)	688.6 (313)	6000 (2727)	10	28

ABACO QLI RHINO SLAB RACK

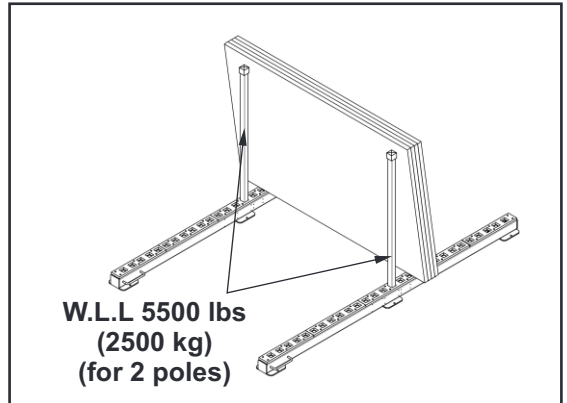
- Qli Rhino Slab Racks, sold in pairs, are the ideal tool to keep in place many slabs different in size and thickness. Any base has 5 up to 10 supporting poles and 6 up to 12 base holes (see template below) for your storage max flexibility. For very delicate material holding models R with rubber strips poles are available. All Qli Rhino Slab Racks have Rubber protection on the bases.

QRSR010

QRSR010R



SOLD IN PAIRS

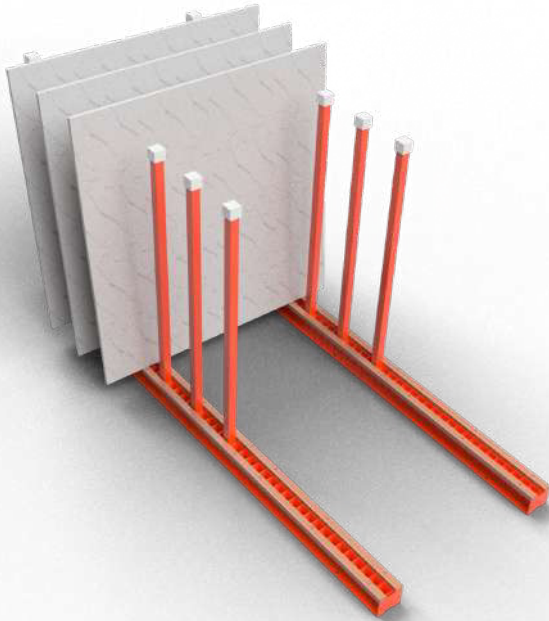


NOTE: Design base frame as requirement

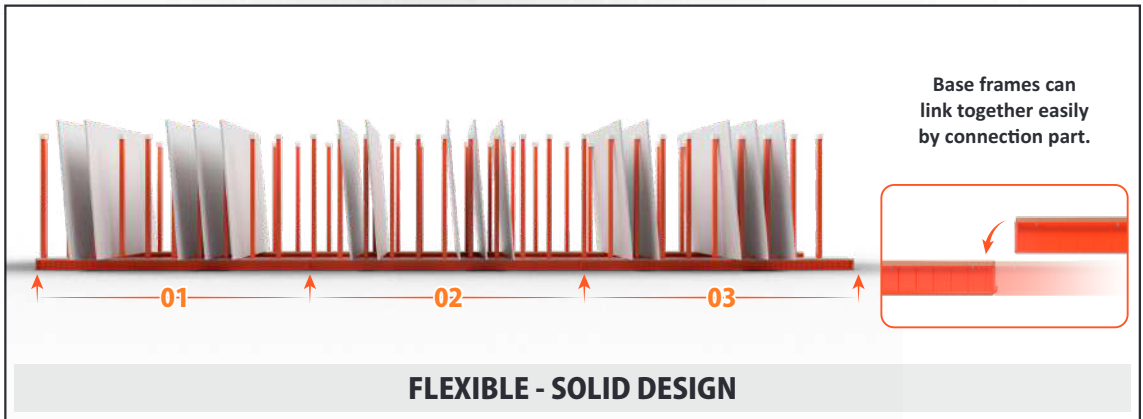
MODEL	Length In (mm)	Width In (mm)	Height In (mm)	Net Weight Per Pair lbs (kg)	Work load limit - lbs (kg)	Poles number per base	Holes number per base
QRSR010	119 1/8 (3026)	7 5/16 (192)	59 7/16 (1509)	503.8 (229)	5500 (2500)	10	12
QRSR010R	119 1/8 (3026)	7 5/16 (192)	59 7/16 (1509)	528 (240)	5500 (2500)	10	12

1* Maximum Weight Load Limit Between Poles

ABACO QLI UNIVERSAL SLAB RACK



- Designed to store and display stone slabs or bundle slabs within warehouses, factories, and construction sites.
- The product is made of steel, so it is stable and sturdy. It consists mainly of a base frame and poles.
- Design holes continuously on the base frame.



*** Maximum Weight Load Limit Between Poles**

MODEL	Length In (mm)	Width In (mm)	Height In (mm)	Net Weight Per Pair - lbs (kg)
AQUSR010	118 ¾ (3016)	5 ½ (140)	59 ¼ (1505)	484 (220)
AQUSR010-PRO	118 ¾ (3016)	5 ½ (140)	59 ¼ (1505)	550 (250)

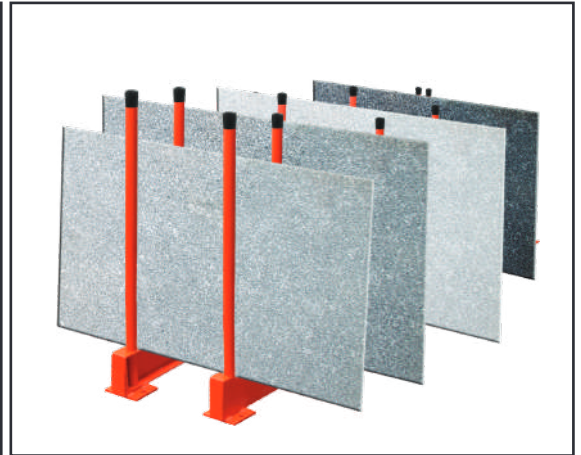
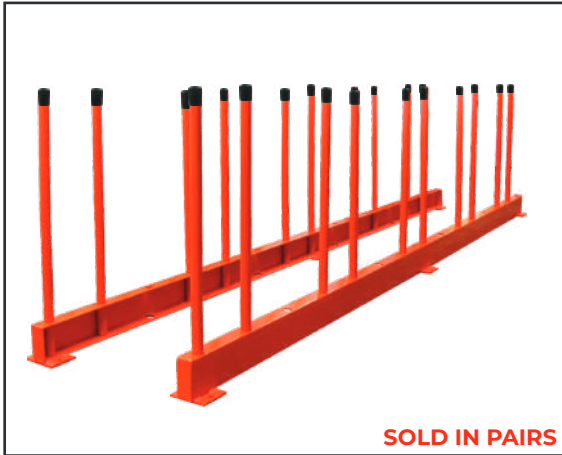
MODEL	Poles number per base	Holes number per base	Work Load Limit ^{1*} lbs (kg)
AQUSR010	10	51	5280 (2400)
AQUSR010-PRO	10	51	5940 (2700)

ABACO REMNANT SLAB RACK

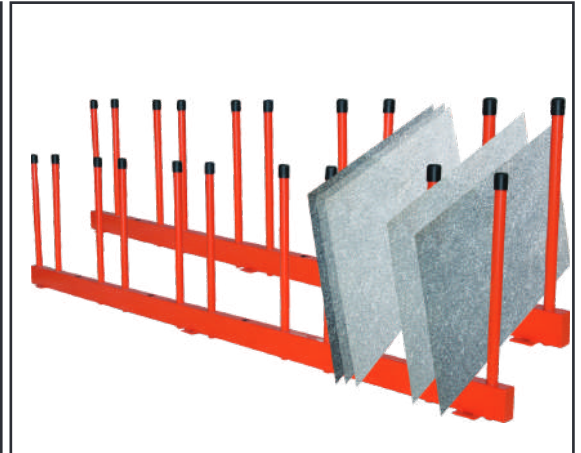
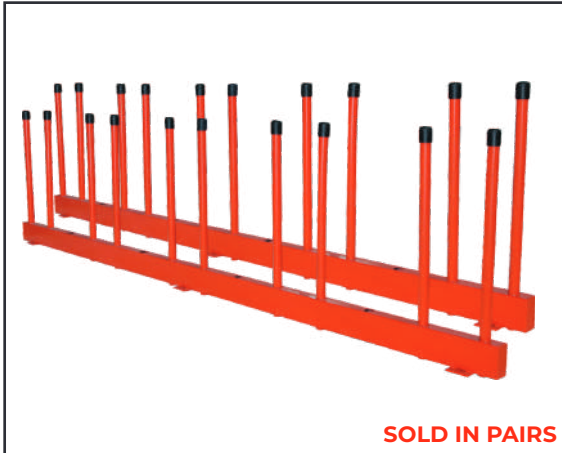
- Remnant Slab Racks are designed to store leftover pieces of stone. Compact, short, and adjustable.
- Each base has 10 poles and 14 or 15 holes for storage max flexibility.

The Rack comes complete with 20 poles.

RES27



RES34



^{1*} Maximum Weight Load Limit Between Poles

MODEL	Length In (mm)	Width In (mm)	Height In (mm)	Net Weight Per Pair lbs (kg)	Work load limit - lbs (kg)	Poles number per base	Holes number per base
RES27	118 1/16 (2998)	4 5/16 (110)	28 1/16 (712)	140.8 (64)	2200 (1000)	10	15
RES34	117 15/16 (2996)	6 5/16 (160)	35 7/8 (911)	156.2 (71)	2200 (1000)	10	14

ABACO SPARE POLES

ABACO SLAB RACK POLES - ABACO RHINO SLAB RACK POLES

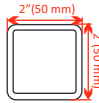
SRK010-POLE
RSR010-POLE

Poles without rubber



SRK010R-POLE
RSR010R-POLE

Poles with rubber



1* Maximum Weight Capacity Between Poles

Dimensions	Capacity 1*
1 15/16" x 1 15/16" x 31 1/2" 50 mm x 50 mm x 800 mm	12100 lbs (5500 kg)
1 15/16" x 1 15/16" x 47 1/4" 50 mm x 50 mm x 1200 mm	7700 lbs (3500 kg)
1 15/16" x 1 15/16" x 59 1/16" 50 mm x 50 mm x 1500 mm	6000 lbs (2727 kg)
1 15/16" x 1 15/16" x 70 7/8" 50 mm x 50 mm x 1800 mm	4840 lbs (2200 kg)

ABACO QLI RHINO SLAB RACK POLES

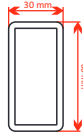
QRSR010-POLE

Poles without rubber



QRSR010R-POLE-R

Poles with rubber



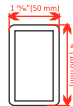
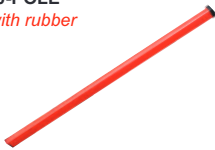
1* Maximum Weight Capacity Between Poles

Dimensions	Capacity 1*
2 3/8" x 1 3/16" x 31 1/2" 60 mm x 30 mm x 800 mm	9020 lbs (4100 kg)
2 3/8" x 1 3/16" x 47 1/4" 60 mm x 30 mm x 1200 mm	7040 lbs (3200 kg)
2 3/8" x 1 3/16" x 59 1/16" 60 mm x 30 mm x 1500 mm	5500 lbs (2500 kg)
2 3/8" x 1 3/16" x 70 7/8" 60 mm x 30 mm x 1800 mm	4400 lbs (2000 kg)

ABACO BUNDLE RACK POLES

BSR010-POLE

Poles with rubber



1* Maximum Weight Capacity Between Poles

Dimensions	Capacity 1*
3 15/16" x 1 15/16" x 59 1/16" 100 mm x 50 mm x 1500 mm	22000 lbs (10000 kg)
3 15/16" x 1 15/16" x 78 3/4" 100 mm x 50 mm x 2000 mm	13200 lbs (6000 kg)

ABACO QLI BUNDLE SLAB RACK POLES

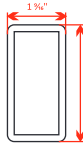
QBSR010-POLE

Poles without rubber



QBSR010R-POLE-R

Poles with rubber

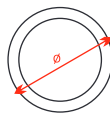


1* Maximum Weight Capacity Between Poles

Dimensions	Capacity 1*
3 1/8" x 1 9/16" x 31 1/2" 80 mm x 40 mm x 800 mm	14740 lbs (6700 kg)
3 1/8" x 1 9/16" x 47 1/4" 80 mm x 40 mm x 1200 mm	12100 lbs (5500 kg)
3 1/8" x 1 9/16" x 59 1/16" 80 mm x 40 mm x 1500 mm	10340 lbs (4700 kg)
3 1/8" x 1 9/16" x 70 7/8" 80 mm x 40 mm x 1800 mm	8360 lbs (3800 kg)

ABACO REMNANT RACK POLES

RES27, RES34-POLE



1* Maximum Weight Capacity Between Poles

Dimensions	Capacity 1*
1 1/16" x 27 9/16" 27 mm x 700 mm	2200 lbs (1000 kg)
1 5/16" x 35 7/16" 34 mm x 900 mm	2200 lbs (1000 kg)

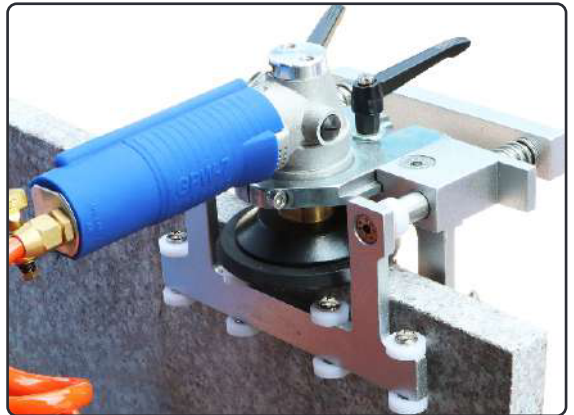
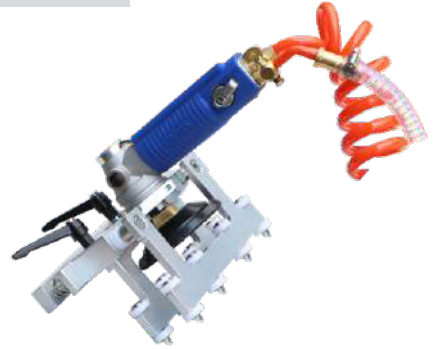
ABACO AIR POLISHING MACHINE

- Designed for polishing stone slabs at straight and 45 - degree angle.
- Simple, fast and easy to use.
- Air motor for safe operation.
- Combined with flex polishing pads it helps users save effort and time.

APM80M1



APM80M2



MODEL	Length In (mm)	Width In (mm)	Height In (mm)	Net Weight lbs (kg)
APM80M1	15 3/8 (390)	9 3/16 (234)	8 13/16 (224)	20.9 (9.5)
APM80M2	12 3/16 (310)	7 1/16 (180)	6 5/8 (169)	20.9 (9.5)

Air motor		Water Pump		
Max. pad size	3 15/16" (100 mm)	Phase		1
Max. speed	4500 (rpm.)	Frequency		50-60 Hz
Air pressure	6~8 bar	Power	USA	INTERNATIONAL
Power	0.43 HP		110V/50W	220V/50W
Air flow rate: 0.46m³/ min				

ABACO RAIL MACHINE 5 IN 1

Abaco Rail Machine 5 in 1 is designed for multi - purposes.
Several accessories can be flexibly attached to allow 5 main functions.

ARM5-1



The cutting machine excluded

Edge polishing



Cut the edge of a 45° angle



Cut perfectly straight line



Cut glass smoothly with equipped glass cutter



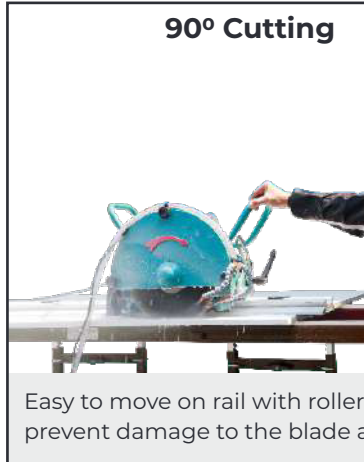
MODEL	Length In (mm)	Width In (mm)	Height In (mm)	Net Weight lbs (kg)
ARM5-1	78 ¾ (2000)	7 ¼ (202)	10 ⅝ (262)	55.66 (25.3)

Pneumatic Motor		Water Pump	
Pad size	Ø100 mm	Power	50W
Air pressure	6 ~ 8 bar	Phase	1
Rotation speed	4500 rpm	Voltage	110V 220V
Power	0.43HP	Frequency	60Hz 50Hz

ABACO STONE RAIL SAW

Designed for precision cutting stone slab or tile with accurately controlling the cutting angle either at 45° or 90°.

ASRS1

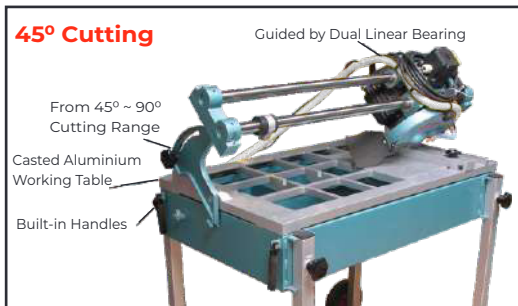
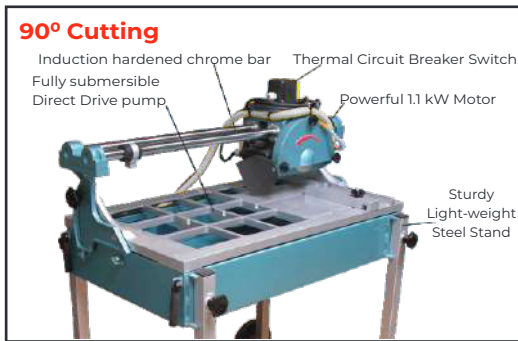


MODEL	Length - In (mm)	Width - In (mm)	Height - In (mm)	Net Weight - lbs (kg)
ASRS1	157 ½ (4000)	14 ⅞ (366)	14 ⅞ (370)	105.6 (48)
Motor Parameter	USA	INTERNATIONAL	ASRS1	
Voltage	110V, 1Phase	220V, 1Phase	Blade diameter	13 ¾" (350 mm)
Frequency	60 Hz	50 Hz	Max. cutting length	137 ⅞" (3500 mm)
Speed	3400 rpm.	2800 rpm.	Max. cutting depth	1 ⅞" (40 mm)



ABACO TILE SAW

- Abaco Tile Saw TS1 has a cast aluminum working table guided by dual linear bearings on induction hardened chrome bars (avoids corrosion).
- TS1 cuts accurately every time. Cutting angle ranges from 45 ~ 90 degrees.
- TS1 is now available with wheels for easy transportation.
- Powder - coated water pan provides additional strength while preventing rust and scratches.
- Includes a sturdy and lightweight steel stand.
- Submersible water pump provides high output coolant for maximum protection to the diamond blades.
- The switch contains thermal a circuit breaker that protects against overload and short circuits.
- Features a specially designed table that supports larger size tiles.
- An adjustable stop guide is included.
- Built-in handles for easy transportation.

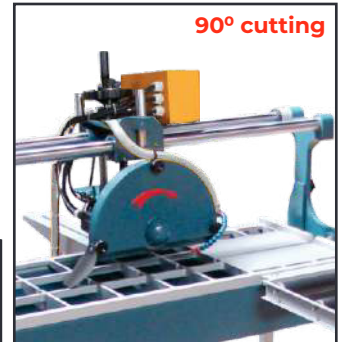


MODEL	Length - In (mm)	Width - In (mm)	Height - In (mm)	Net Weight - lbs (kg)
TS1	41 1/16 (1055)	30 3/8 (772)	47 13/16 (1215)	187 (85)

Motor Parameter	USA	INTERNATIONAL	TS1	Size	
Power	1.1 kW	1.1 kW	Blade Diameter	10" (254 mm)	
Voltage	110 V	220 V	Cutting Depth At 90°	2 3/16" (55 mm)	
Frequency	60 Hz	50 Hz	Cutting Depth At 45°	1 3/16" (30 mm)	
Phases	1	1	Cutting Length	26 15/16" (660 mm)	
Speed	3400 rpm.	2800 rpm.	Water Pump	USA	International
			Power	110V/50W	220V/50W

- The powerful Abaco Stone Saw MODS1 features a single phase 3 HP motor or three phase 5 HP motor, guided by dual linear bearings on induction hardened chrome bar (avoids corrosion). It is incorporated with wheels and rollers for easy moving. One side bench with rollers and 2 support arms with stops is included.
- Bolted down cast aluminum working tables.

ABACO STONE SAW MODS1



MODEL	Length In (mm)	Width In (mm)	Height In (mm)	Net Weight lbs (kg)
MODS1	62 3/8 (1585)	76 3/4 (1950)	56 3/8 (1439)	374 (170)

MODS1 - 1P (1 Phase)	Size			
	Inches		Millimeters	
Blade Diameter	10	11 13/16"	254 mm	300 mm
Cutting Depth At 90°	1 15/16"	2 3/8"	50 mm	60 mm
Cutting Depth At 45°	15/16"	1 1/16"	25 mm	30 mm
Cutting Length	41 5/16" (1050 mm)			

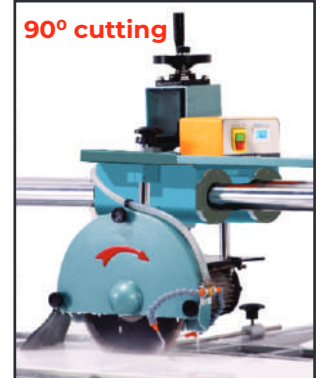
Motor Parameter	USA	INTERNATIONAL
Power	2 kW	2.2 kW
Voltage	110 V	220 V
Frequency	60 Hz	50 Hz
Phases	1	1
Speed	3400 rpm.	2800 rpm.
Water Pump Power	110V/50W	220V/50W

MODS1-3P (3 Phase)	Size					
	Inches			Millimeters		
Blade Diameter	10	11 13/16"	13 3/4"	254 mm	300 mm	350 mm
Cutting Depth At 90°	1 15/16"	2 3/8"	3 1/8"	50 mm	60 mm	80 mm
Cutting Depth At 45°	15/16"	1 1/16"	1 1/8"	25 mm	30 mm	40 mm
Cutting Length	41 5/16" (1050 mm)					

Motor Parameter	USA	INTERNATIONAL
Power	3.7 kW	3.7 kW
Voltage	220 V	380 V
Frequency	60 Hz	50 Hz
Phases	3	3
Speed	3400 rpm.	2800 rpm.
Water Pump Power	110V/50W	220V/50W

- The powerful Abaco Stone Saw MODS2 is ideal for construction sites and workshops. On one side, the saw has a roller conveyor which makes for easy loading, while on the other side, the adjustable stops make exact parallel cuts. Two side benches with rollers and 2 support arms with stops are included.
- The MODS2 features a single phase 3 HP motor or three - phase 5 HP motor.

ABACO STONE SAW MODS2



MODEL	Length In (mm)	Width In (mm)	Height In (mm)	Net Weight lbs (kg)
MODS2	83 1/16 (2110)	82 15/16 (2108)	63 7/16 (1612)	594 (270)

MODS2 - 1P (1 Phase)	Size			
	Inches		Millimeters	
Blade Diameter	10	11 13/16"	254 mm	300 mm
Cutting Depth At 90°	1 15/16"	2 3/8"	50 mm	60 mm
Cutting Depth At 45°	1 5/16"	1 7/16"	25 mm	30 mm
Max. Cutting Length	61 1/16" (1550 mm)			

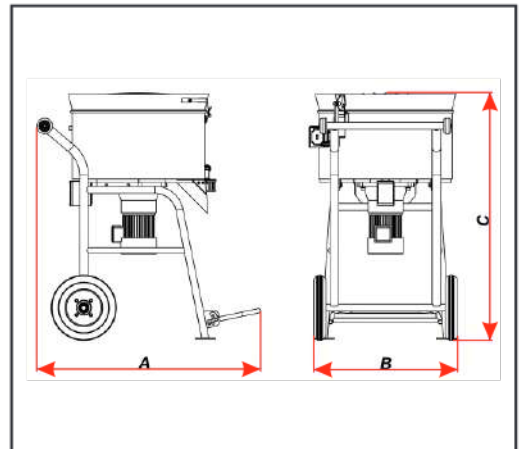
Motor Parameter	USA	INTERNATIONAL
Power	2 kW	2.2 kW
Voltage	110 V	220 V
Frequency	60 Hz	50 Hz
Phases	1	1
Speed	3400 rpm.	2800 rpm.
Water Pump Power	110V/50W	220V/50W

MODS2-3P (3 Phase)	Size					
	Inches			Millimeters		
Blade Diameter	10	11 13/16"	13 3/4"	254 mm	300 mm	350 mm
Cutting Depth At 90°	1 15/16"	2 3/8"	3 1/8"	50 mm	60 mm	80 mm
Cutting Depth At 45°	1 5/16"	1 3/16"	1 1/16"	25 mm	30 mm	40 mm
Cutting Length	61 1/16" (1550 mm)					

Motor Parameter	USA	INTERNATIONAL
Power	3.7 kW	3.7 kW
Voltage	220 V	380 V
Frequency	60 Hz	50 Hz
Phases	3	3
Speed	3400 rpm.	2800 rpm.
Water Pump Power	110V/50W	220V/50W

ABACO MORTAR MIXER

- Abaco Mortar Mixer M2 is designed to mix the materials such as sand, cement, stone, etc. to become a mixture in a short time.
- Compact and portable design combined with solid wheels provide an easy maneuvering from one place to another, as well as movement through narrow spaces with just one person.
- This mixer M2 helps improve productivity and reduce human labor effectively.

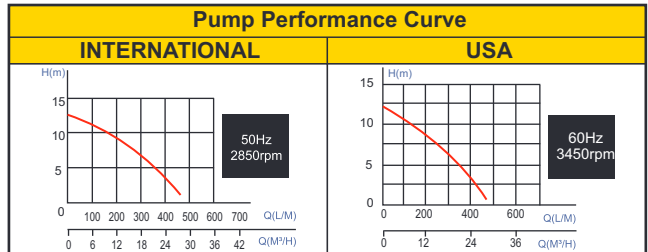


MODEL	Length In (mm)	Width In (mm)	Height In (mm)	Net Weight lbs (kg)
AMX100M2	42 1/16 (1091)	27 5/8 (702)	47 1/16 (1202)	239.8 (109)

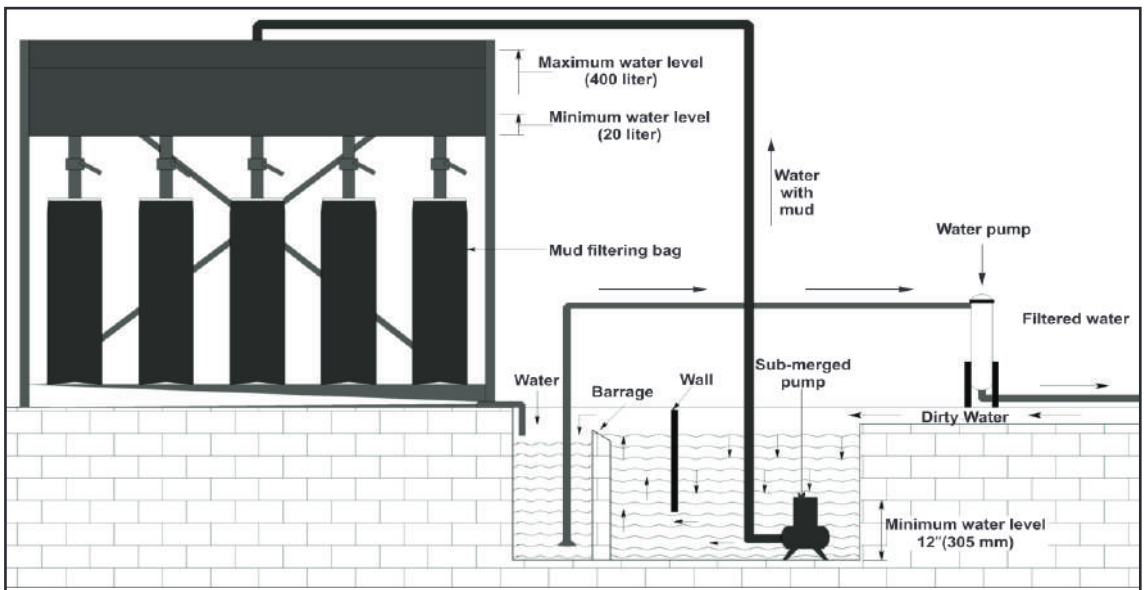
Motor parameters		The average mixing time: 3 - 5 minutes With overload protection devices	
Horse power	2 HP	Barrel capacity - Gallon (Liters)	26 (100)
Voltage	220V /110V	Barrel diameter - Inches (mm)	25 1/2 (648)
Frequency	50 Hz/60Hz	Speed (rpm)	29
Phase	1		

ABACO DEHYDRATOR (SLUDGE FILTER)

- Abaco Dehydrator (Sludge Filter) is a dehydrator system for the fast collection and trapping of the abrasive mud produced by machining and finishing marble, granite, and other stones.
- Dehydrator (Sludge Filter) is an economical one step method in separating and dewatering sludge and slurries.
- Dehydrator is constructed of Stainless Steel and consists of four basic components: pump, mud holding tank, filter bags and filtered water pan. Dehydrator (Sludge Filter) has no moving parts and requires minimal maintenance.



MODEL	Length In (mm)	Width In (mm)	Height In (mm)
ADE089	95 13/16 (2433)	27 9/16 (700)	91 3/4 (2330)
Net Weight - lbs (kg)	468.6 (213)		
Float Switch	Automatic		
Bag Dimension	13 3/4 x 47 1/4" (350 x 1200 mm)		
Material	Stainless Steel		
Valves	2 Inch BSP Brass Nickel Plated		
Filter Capacity 25 % sludge in the water	3m ³ / 1 hour		



ABACO COLLAPSIBLE DUMPSTER (TILT DUMPSTER)

- A "must have" item for your workplace. Practical to use and effective to keep your environment clean.
- Built of steel and heavy gauge sheets to last long.
- Tilting is by handy lever for safe use.
- Forklift engagement by heavy duty channeled pockets with safety pin when at full load.
- Has 4 heavy duty casters for easy moving, two with brake to lock the dumpster steady to the ground when needed.

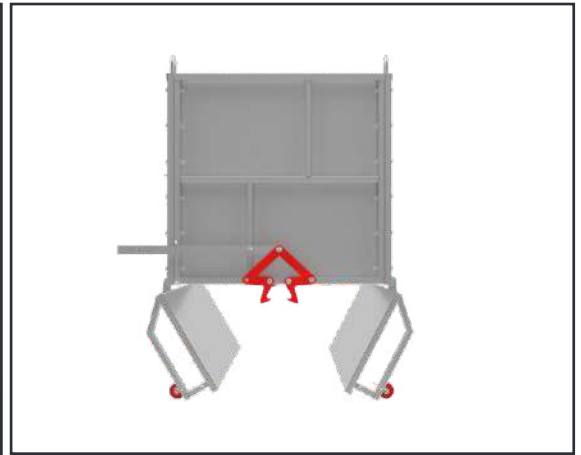
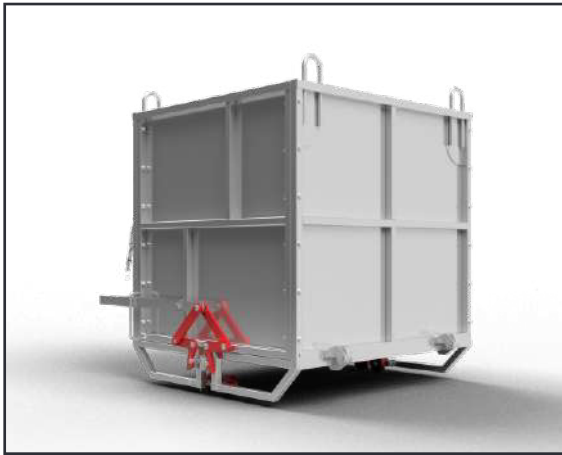


MODEL	Length In (mm)	Width In (mm)	Height In (mm)	Net Weight lbs (kg)	Volume ft ³ (m ³)	Work load limit lbs (kg)
CD70	59 5/16 (1506)	47 7/8 (1216)	40 5/16 (1030)	534.6 (243)	25 (0.705)	2640 (1200)
CD102	63 3/4 (1620)	50 15/16 (1295)	45 7/16 (1154)	719.4 (327)	35.4 (1)	3300 (1500)

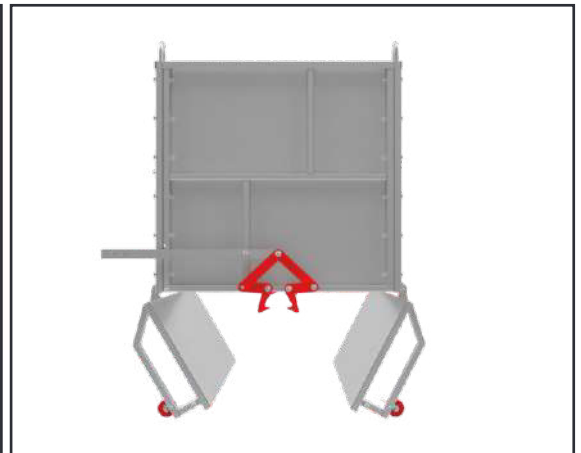
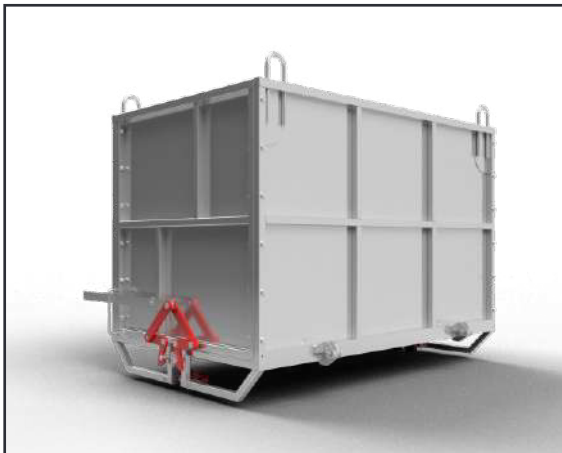
ABACO DROP BOTTOM DUMPSTER

- Abaco Drop Bottom Dumpster is a useful solution to keep your area neat and clean.
- The bottom gate opening system allows you to dump the waste in a second.
- When the dumpster touches the ground, the tail gates close automatically.
- The unit can be lifted either by a hoist or forklift.
- The Dumpster construction allows to separate each component, side and bottom for easy packing and transferring to another place if necessary.

DBD100



DBD150



MODEL	Length In (mm)	Width In (mm)	Height In (mm)	Net Weight lbs (kg)	Volume ft ³ (m ³)	Work load limit lbs (kg)
DBD100	51 3/8 (1305)	45 1/4 (1150)	50 1/16 (1271)	442.2 (201)	35.4 (1)	3300 (1500)
DBD150	64 15/16 (1650)	51 3/8 (1305)	50 1/16 (1271)	583 (265)	53 (1.5)	4400 (2000)

ABACO SAFETY CORNER SLAB RACK WEDGE

- Made out of high-quality plastic, the unique tool to use along with a variety ranges of slab racks for high safety. Compact design for easy carry or storage.

ASCSRW5.5



ASCSRW4.8



ASCSRW5.10



Easy to lean the stone slabs onto the rack within a safe angle during operation without observation.



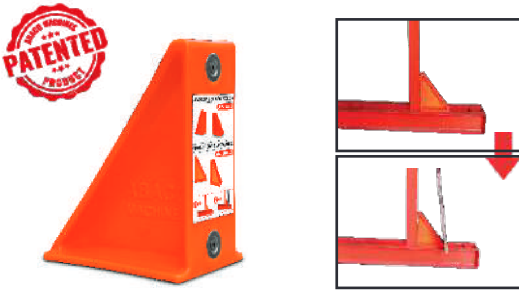
MODEL	Length In (mm)	Width In (mm)	Height In (mm)	Net Weight lbs (kg)	Type of Pole in (mm)
ASCSRW5.5	7 ¹³ / ₁₆ (198.5)	3 ⁹ / ₁₆ (90)	7 ⁵ / ₁₆ (186)	0.68 (0.31)	1 ¹⁵ / ₁₆ x 1 ¹⁵ / ₁₆ (50 x 50)
ASCSRW4.8	8 ¹⁵ / ₁₆ (228)	3 ⁹ / ₁₆ (90)	7 ⁵ / ₁₆ (186)	0.72 (0.33)	1 ⁹ / ₁₆ x 3 ¹ / ₈ (40 x 80)
ASCSRW5.10	9 ¹³ / ₁₆ (248.5)	3 ⁹ / ₁₆ (90)	7 ⁵ / ₁₆ (186)	0.75 (0.34)	1 ¹⁵ / ₁₆ x 3 ¹⁵ / ₁₆ (50 x 100)

ABACO MULTI/CORNER SLAB RACK WEDGE

These wedges made of strong high quality plastic last long and are a very effective protection for large slab operations where hidden corners may be difficult to check at sight. Compact and lightweight.

ABACO MULTI CORNER SLAB RACK WEDGE

AMCSRW5.5



ABACO CORNER SLAB RACK WEDGE 50

ACSRW5.5



MODEL	Length - In (mm)	Width - In (mm)	Height - In (mm)	Net Weight - lbs (kg)
AMCSRW5.5	5 7/16 (138)	3 9/16 (90)	6 11/16 (170)	0.88 (0.4)
ACSRW5.5	6 5/16 (160)	3 9/16 (90)	6 11/16 (170)	1.1 (0.5)

ABACO SLAB WEDGE



Very useful handy tool to keep little gaps between slab edges. Avoid damage and enhance safety.



Model	Length - In (mm)	Width - In (mm)	Height - In (mm)	Net Weight - lbs (kg)
SW63	4 3/4 (120)	2 1/2 (63)	10 1/16 (255)	0.88 (0.4)

ABACO CABLE CONNECT SLING

Cable connect sling extends lifting room when headroom is not an issue. Connects Abaco lifters and/or booms.



MODEL	Length In (mm)	Width In (mm)	Height In (mm)	Cable diameter In (mm)	Net Weight lbs (kg)	Loading Capacity lbs (kg)
ASL017	16 13/16 (427)	3 5/8 (85)	3/4 (19)	3/8 (10)	2.64 (1.2)	3300 (1500)

ABACO SWIVEL SHACKLE

These Shackles are included in some Abaco lifter models. Connect Abaco lifters and/or booms to allow 360° slab rotation.



SWS1500



SWS2500



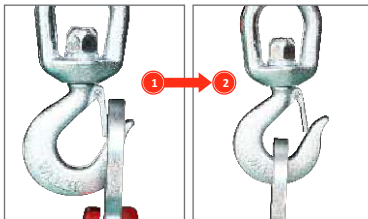
MODEL	Length In (mm)	Width In (mm)	Height In (mm)	Loading Capacity lbs (kg)	Net Weight lbs (kg)
SWS1500	4 1/2 (115)	1 1/4 (32)	7 13/16 (199)	3300 (1500)	3.1 (1.4)
SWS2500	5 1/4 (133)	1 5/8 (42)	11 1/4 (286)	5500 (2500)	6.6 (3)

ABACO SWIVEL HOOK

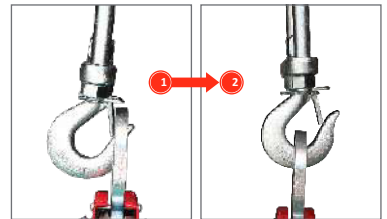
These Hooks are included in some Abaco lifter models. Connect Abaco lifters and/or booms to allow 360° slab rotation.



ASH37.45



ASH81.57



MODEL	Length In (mm)	Width In (mm)	Height In (mm)	Net Weight lbs (kg)	Work load limit lbs (kg)
ASH37.45	4 1/16 (103)	1 7/8 (47)	8 9/16 (218)	4.18 (1.9)	4400 (2000)
ASH81.57	4 11/16 (119)	1 5/8 (41)	11 1/16 (290)	6.6 (3)	4400 (2000)

ABACO BOW SHACKLE

Abaco Bow Shackle is a tool for straight lifts where no rotation is needed. Connects any Abaco lifter, boom, scissor clamp.



MODEL	ABS22
Length - In (mm)	5 1/16 (144)
Width - In (mm)	1 5/8 (41)
Height - In (mm)	5 5/8 (143)
Net Weight - lbs (kg)	2.64 (1.2)
Loading Capacity - lbs (kg)	3300 (1500)

ABACO STONEMASON SLEEVES

Abaco Stonemason Sleeves fit snugly around the wrist and upper sleeve area to prevent clothes from getting soaked during wet grinding.

SOLD IN PAIRS



MODEL	SMS019
Width - In (mm)	19 5/16 (490)
Height - In (mm)	6 1/2 (165)
Net Weight - lbs (kg)	0.352 (0.16)

Available with custom labeling with your company's logo.

ABACO STONE MASON APRON

A HEAVY DUTY APRON FOR ALL STONEMASONS.

- The quick snap straps are ideal for a quick and easy fit.
- Made of a double layer of the highest quality material for extra protection.
- Velcro strips help with quick access to polishing pads.
- Customizable with any Company logo.



MODEL	Width - In (mm)	Height - In (mm)	Net Weight - lbs (kg)
SMA048	35 7/16 (900)	47 1/4 (1200)	1.32 (0.6)



ABACO MACHINES
INTERNATIONAL PTY LTD
MATERIAL HANDLING SOLUTIONS

2023



www.abaco.com.au