

Frameless Hardware: Shopfront Hardware



Patch Fittings



Product Code	Description	Std Finish
IGS-FTP2	Patch Fitting Top With Pivot Insert	SSS/PSS
IGS-FTP22	Patch Fitting Top With COC Insert	SSS/PSS



Product Code	Description	Std Finish
IGS-FBP1	Patch Fitting Bottom With Floorspring Insert	SSS/PSS

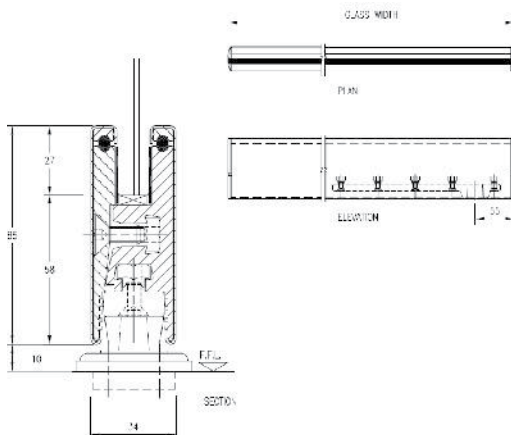
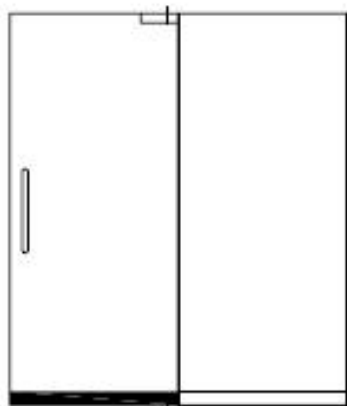


Product Code	Description	Std Finish
IGS-FFPL250	Patch Lock Slimline Bottom or Centre Mount (Specify Cylinder / Turn or Double Cylinder)	SSS/PSS
IGS-FPLKEEP	Keeper Patch Lock Suit IGS - FFPL250 Patch Lock	SSS/PSS

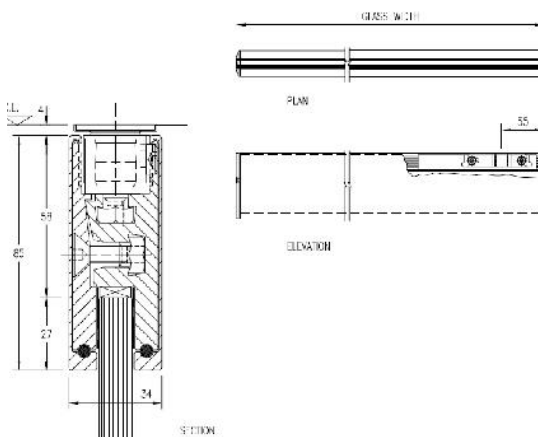


Product Code	Description	Std Finish
IGS-FPL50	Corner Patch Lock (Specify Cylinder/ Turn or Double Cylinder)	SSS/PSS
DO-CDS353.SCP	Floor Mount Lock Trough to Suit IGS - FPL50 Patch Lock	SSS/PSS

Door Rails



Product Code	Description	Finishes
DO-CDS41	Dorma Door Bottom Rail Non Locking 1000mm (Suits 10mm/12mm/15mm Glass) - (Specify Rail Length)	SSS/SAA/PSS
DO-CDS42	Dorma Door Bottom Rail Locking 1000mm (Suits 10mm/12mm/15mm Glass) - (Specify	SSS/SAA/PSS



Product Code	Description	Finishes
DO-CDS43	Dorma Door Top with Pivot Insert Rail Non Locking 1000mm (Suits 10mm/12mm/15mm Glass) - (Specify Rail Length)	SSS/SAA/PSS
DO-CDS43RTS	Dorma Door Top with COC Insert Rail Non Locking 1000mm (Suits 10mm/12mm/15mm Glass) - (Specify Rail Length)	SSS/SAA/PSS
DO-CDS44	Dorma Door Top with Pivot Insert Rail Locking 1000mm (Suits 10mm/12mm/15mm Glass) - (Specify Cylinder/Turn or Double Cylinder) (Specify Rail Length)	SSS/SAA/PSS
DO-CDS44	Dorma Door Top with COC Insert Rail Locking 1000mm (Suits 10mm/12mm/15mm Glass) - (Specify Cylinder/Turn or Double Cylinder) (Specify Rail Length)	SSS/SAA/PSS

Frameless Door Accessories



Product Code	Description
IGS-PKT900	Pivot Kit Complete With Free Floor Pivot Bottom Strap & Adjustable Top Pivot



Product Code	Description
MF-MP24	Top Pivot Fixed with Mounting Plate

* Full Range of Frameless Entry Door Hardware and Accessories Available. If what you require is not listed ask our friendly staff for more information.